

4

3

2

1

THIS DRAWING IS UNPUBLISHED.  
DIFFUSION RESTREINTE AMP

RELEASED FOR PUBLICATION  
ALL RIGHTS RESERVED.  
TOUS DROITS RESERVES

- 19 -

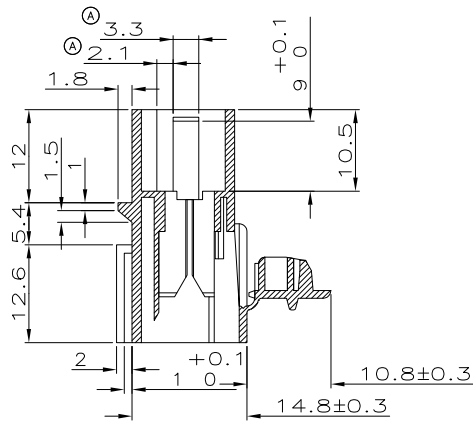
© COPYRIGHT - By -

LOC F  
DIST 7

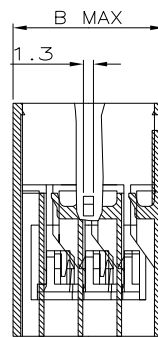
REVISIONS

P	LTR REV	DESCRIPTION MODIFICATIONS	DATE	OWN DESS.	APVD APP.
	B2	REVISED PER ECO-11-005150	21MAR11	RK	HMR

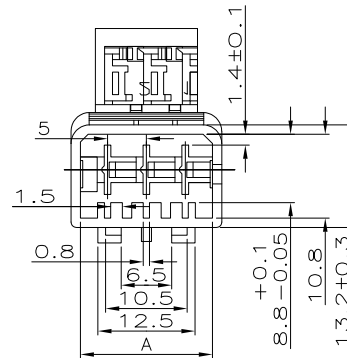
COUPE B-B



COUPE A-A



△ OBSOLETE PARTS: OBSOLETE CIS STREAMLINING PER D.RENAUD/D.SINISI



KEYING (DETROMPAGES)

2 POSITIONS

3 POSITIONS

		BLACK (NOIR) 0-144835-2			BLACK (NOIR) 0-144835-3
		BROWN (MARRON) 1-144835-2			BROWN (MARRON) 1-144835-3
		RED (ROUGE) 2-144835-2			RED (ROUGE) 2-144835-3
		ORANGE 3-144835-2			ORANGE 3-144835-3
		YELLOW (JAUNE) 4-144835-2			YELLOW (JAUNE) 4-144835-3
		GREEN (VERT) 5-144835-2			GREEN (VERT) 5-144835-3
		BLUE (BLEU) 6-144835-2			BLUE (BLEU) 6-144835-3
		VIOLET 7-144835-2			VIOLET 7-144835-3
		GREY (GREY) 8-144835-2			GREY (GREY) 8-144835-3
		WHITE (BLANC) 9-144835-2			WHITE (BLANC) 9-144835-3

19.7	17	3	144835-3
△ OBSOLETE	14.7	12	2
B	A	Nb de VOIES (Nb of WAYS)	REFERENCES

THIS DRAWING IS A CONTROLLED DOCUMENT.

CE PLAN EST UN DOCUMENT CONTROLE

DIMENSIONS: mm

TOLERANCES UNLESS OTHERWISE SPECIFIED: (SUIV NB DE DECIMALES)

0-PLC/DEE ± -

1-PLC/DEE ± 0.2

2-PLC/DEE ± -

3-PLC/DEE ± -

4-PLC/DEE ± -

ANGLES ± 2°

FINISH

MATERIAL MATIERE POLYAMIDE 6.6

DWN/DESSINE 10-MAY-06

Remi PATIN

CHK/VERIFIE 10-MAY-06

JP PICAUD

APVD/APPROUVE 10-MAY-06

J DAHER

PRODUCT SPEC SPEC PRODUIT

APPLICATION SPEC SPEC APPLICATION

WEIGHT MASSE APPROX. -

CUSTOMER DRAWING/PLAN CLIENT

10-MAY-06

10-MAY-06

10-MAY-06

-

-

-

-

-

-

-

NAME TITRE

BOITIER PORTE-LANG. 5MM DOUBLE VERR.

(HOUSING FOR TAB 5mm DOUBLE LOCKING)

SIZE FORMAT A3

CAGE CODE 00779

DRAWING NO No PLAN C=144835

UNIQUEMENT POUR REFERENCE

SCALE ECHELLE 2:1

SHEET FEUILLE 1 DE 1

REV B2