

4

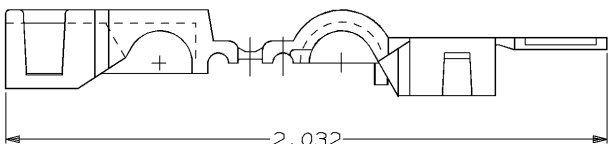
3

2

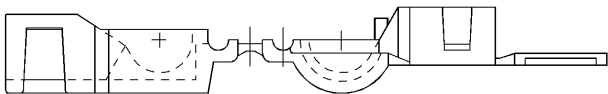
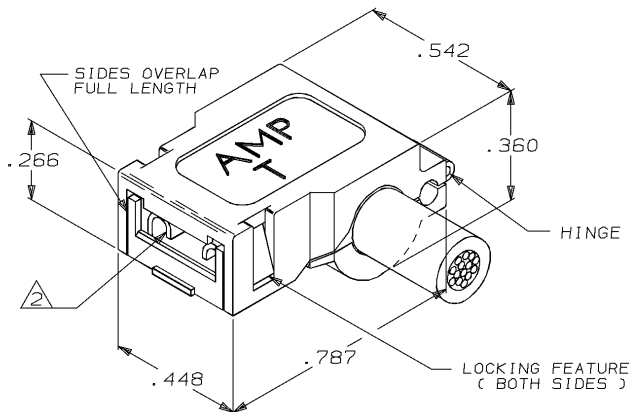
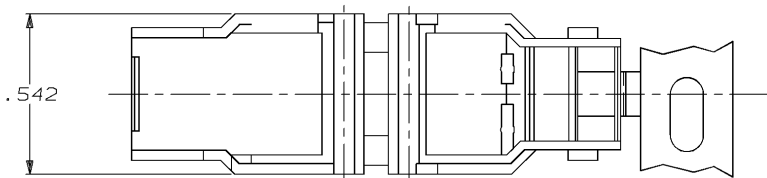
1

THIS DRAWING IS UNPUBLISHED. RELEASED FOR PUBLICATION
 © COPYRIGHT 19 BY AMP INCORPORATED. ALL RIGHTS RESERVED.

LOC		DIST		REVISIONS				
P	LTR	DESCRIPTION			DATE	DWN	APVD	
AF	50	P		REDRAWN PER OL10-0046-97	2/11/97	JR	RB	



- 1 CONTINUOUS STRIP ON REELS.
- 2 THIS PART ACCEPTS .250 SERIES FASTON FLAG RECEPTACLES PART NUMBERS 41531, 41532, 42511, 60641 AND 60645.
- 3 SEE CP-23587 FOR RECOMMENDED TAB DETAILS.
- 4 UL RATING OF 125°C
- 5 MAX INSULATION IS .210.



1-480298-0
 PART NO.

THIS DRAWING IS A CONTROLLED DOCUMENT.		DWN	JR RUTH	1/24/97	AMP Incorporated Harrisburg, PA 17105-3608	INSULATION POD, AMPIP-POST	RESTRICTED TO
DIMENSIONS:		CHK	MS FEHER	1/24/97			
INCHES		APVD	R BEAVER	1/24/97			
TOLERANCES UNLESS OTHERWISE SPECIFIED:		NAME		PRODUCT SPEC			
0 PLC	±-	APPLICATION SPEC		SIZE	CAGE CODE	DRAWING NO	
1 PLC	±-	MATERIAL		WEIGHT	A3	00779	480298
2 PLC	±-	FINISH		CUSTOMER DRAWING			
3 PLC	±.015	MATERIAL		SCALE	4:1	SHEET 1 OF 1	
4 PLC	±-	FINISH		REV	P		
ANGLES	±-						

AMP 1470-19 REV 27JUN86

24-JAN-97 08:49:44 amp13463 /vs/dep12121/dwg2121/u.hsg