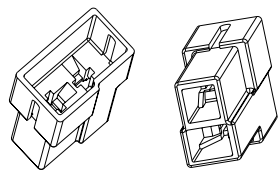
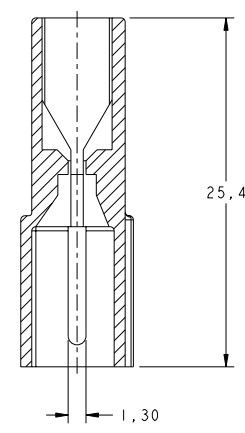
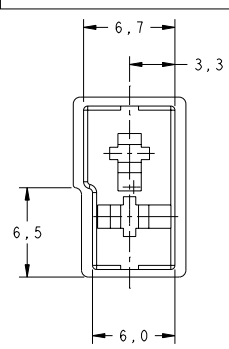
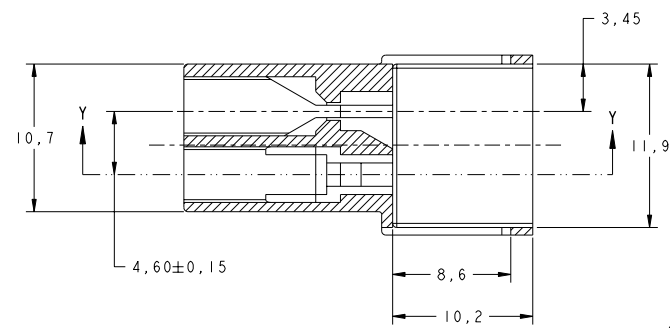
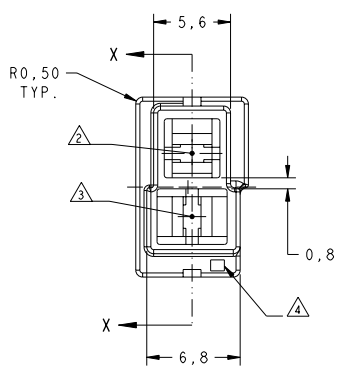


LOC	DISP	REVISIONS			
P	LYR	DESCRIPTION	DATE	BY	APPV
L4		REDRAWN BY CAD ECO-11-002832	18FEB2011	NCL	MBG



PERSPECTIVE VIEW
SCALE 3:1

- △ - MATERIA PRIMA CONFORME ESPECIF. IEC 60335-1
GWT 750° C. SEM CHAMAS.
- △ - RAW MATERIAL ACC. TO SPEC 60335-1
GWT 750° C. WITHOUT FRAME.
- △ - CIRCUITO 1- SOMENTE PARA REFERENCIA.
CIRCUIT 1- FOR REFERENCE ONLY.
- △ - CIRCUITO 2- SOMENTE PARA REFERENCIA.
CIRCUITO 2- FOR REFERENCE ONLY.
- △ - NÚMERO DA CAVIDADE DO MOLDE.
- MOLD CAVITY NUMBER.
- △ - OBSOLETE PARTS: OBSOLETE CIS STREAMLINING
PER D.RENAUD/D.SINISI.

FINISH	MATERIAL	PART NUMBER
NATURAL	PA6.6 V-0	I-626065 -2
NATURAL	PA6.6-ZYTEL 103 HSL	△ V-626065 -1
NATURAL	PBT V-0	△ V-626065 -0
ORANGE	POLIAMIDA 6.6	△ V-626065 -9
VIOLET	POLIAMIDA 6.6	△ V-626065 -8
GRAY	POLIAMIDA 6.6	△ V-626065 -7
BROWN	POLIAMIDA 6.6	△ V-626065 -6
BLACK	POLIAMIDA 6.6	626065 -5
YELLOW	POLIAMIDA 6.6	△ V-626065 -4
BLUE	POLIAMIDA 6.6	△ V-626065 -3
GREEN	POLIAMIDA 6.6	△ V-626065 -2
RED	POLIAMIDA 6.6	△ V-626065 -1
NATURAL	POLIAMIDA 6.6	626065 -0

DIMENSIONS: mm 0 P/C ±0.2 1 P/C ±0.3 2 P/C ±0.4 3 P/C ±0.5 4 P/C ±0.6 ANGLES 30°	TOLERANCES UNLESS OTHERWISE SPECIFIED: DIMENSIONS IN PARENTHESES ARE FOR REFERENCE ONLY.	DWG: NCLAPRESA COM: JRGOLDSCHNIDT APVD: MRGODOY DATE: 18FEB2011 APPLICATION SPEC: - WEIGHT: - FINISH: -	TYCO ELECTRONICS BRASIL LTDA. São Paulo, Brasil NAME: HOUSING 2 POSN., FASTIN-ON .110 TAB PRODUCT SPEC: - SIZE: A200779 CASE CODE: C-626065 DRAWING NO: - RESTRICTED TO: -
MATERIAL: SEE TABLE		CUSTOMER DRAWING	SCALE: 5:1 SHEET 1 OF 1 REV: L4