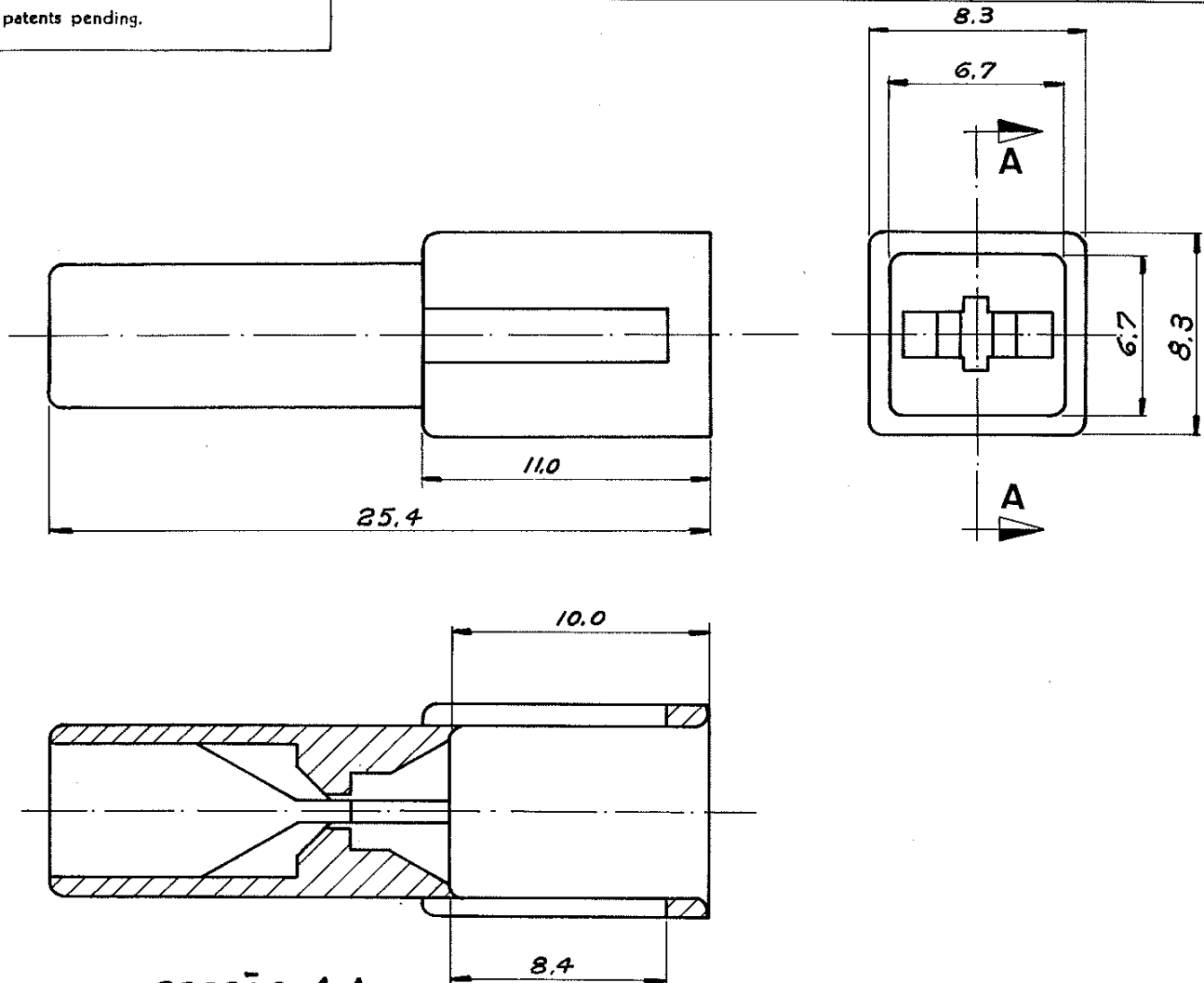


© Copyright 1978 by AMP DO BRASIL - S. P. All International Rights Reserved. AMP Incorporated products covered by U. S. and Foreign patents and/or patents pending.

REVISIONS			
LTR	DESCRIPTION	DATE	APPROVED
C	6.7 ERA 6.3 E 8.3 ERA 7.8	18.7.78	<i>Duplin</i>
D	ADD. -1 LE 10.0224/04	09 Sep 04	#.C.



SECÇÃO A-A

△ ESTABILIZADO AO CALOR
HEAT STABILIZED

BLACK / PRETO	PA 6.6 △	626063.1
NATURAL	NYLON	626063.0
COR	MATERIAL	PART NO

UNLESS OTHERWISE SPECIFIED DIMENSIONS ARE IN mm TOLERANCES ON: DECIMALS ± 0.2 ANGLES \pm	CONTRACT NO	TOLERANCE	AMP DO BRASIL S. Paulo - Brasil
	DR <i>PJ. Rossi 06/02/78</i>	<i>+</i>	
MATERIAL	CHK <i>Duplin 06/06/78</i>	NAME	
TABELA	APPD	1 WAY .110 FASTIN-ON TAB HSG.	
FINISH	APPD	SIZE A	LOC AP.
	WIRE RANGE	DRAWING NO 626063	
	INSUL. RANGE	SCALE 4:1	SHEET
			REV D