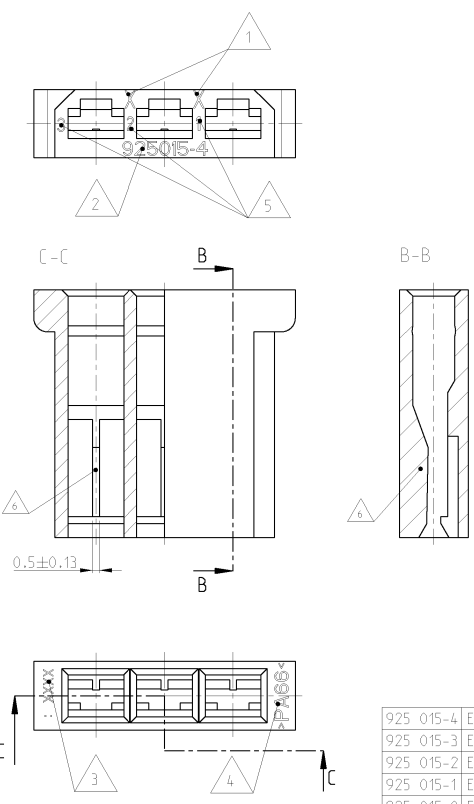


925015-4 AS SHOWN
 925015-4 wie dargestellt



REV	DATE	BY	CHKD	DESCRIPTION
E	2002T998	-	M.P.	16±0.2 was 16±0.1
E2	29SEP2004	-	Str.	Zeichnungsrevision angepasst
E3	16NOV2004	Haas	Str.	Drawing update
E4	28MAR2006	Haas	Str.	PN 925015-4 added

- NOTES
 Bemerkungen
- 1 MOULD CAVITY NUMBER
Werkzeugestzahl
 - 2 PART NUMBER
Teilenummer
 - 3 ARTWORK LOGO
Finnenzeichen
 - 4 MATERIAL MARKING
Werkstoffkennzeichnung
 - 5 CHAMBER NUMBER
Kammernummer
 - 6 CODING RIB
Kodiersteg
 - 7 WEIGHT: 925015-0/-1/-2/-3 - 0.94g
Gewicht: 925015-4 - 0.98g

AMP-ORDER-NO.	REV	DESCRIPTION	MATERIAL	COLOUR
925 015-4	E	3POS. HOUSING	PA6.6	NATURAL
925 015-3	E	3POS. HOUSING	PA6.6 (ZYTEL 101)	NATURAL
925 015-2	E	3POS. HOUSING	PA6.6	RED
925 015-1	E	3POS. HOUSING	PA6.6	BLACK
925 015-0	E	3POS. HOUSING	PA6.6	NATURAL

DIMENSIONS: min		0 PLC 80.0mm 1 PLC 80.0mm 2 PLC 80.0mm 3 PLC 80.0mm 4 PLC 80.0mm ANGLES 90°	DWG: 28MAR2005 CDR: Haas.C. APPR: Stredak.F. 28MAR2005 31MAR2005	tyco Electronics tyco Electronics AMP GmbH 6425 Bensheim (Germany)
MATERIAL: ZINISR		WEIGHT: SEE NOTE CUSTOMER DRAWING	3POS. FASTIN-FASTON REC. HSG. SER.110 3pol. F.F. Steckhülsegehäuse SERIE 2.8	SIZE: A2 CASE CODE: 100779 DRAWING NO: 925015 RESTRICTED TO: - SCALE: 5:1 SHEET: 1 OF 1 REV: 4