

4

3

2

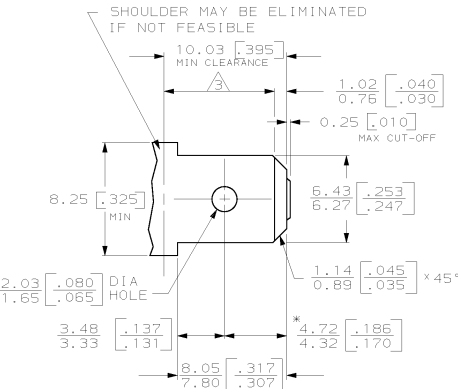
1

THIS DRAWING IS UNPUBLISHED. RELEASED FOR PUBLICATION BY AMP INCORPORATED. ALL RIGHTS RESERVED.

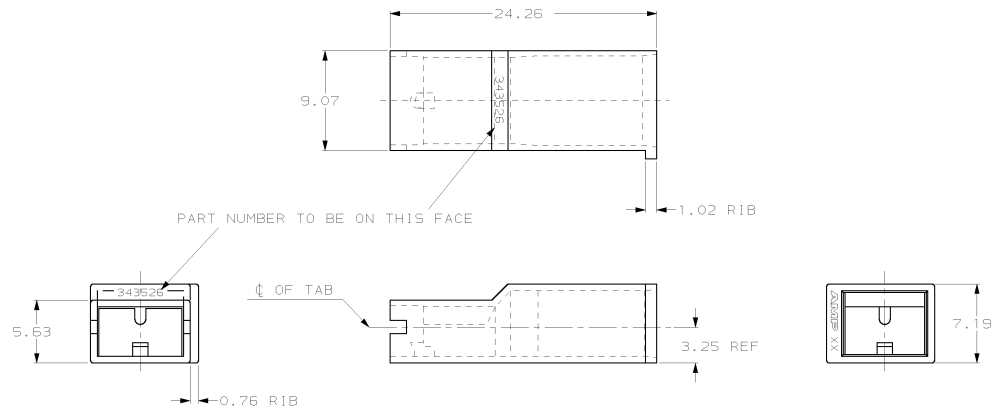
LOC	DIST	REVISIONS					
AF	50	F	LTR	DESCRIPTION	DATE	ENR	APPD
		B	REV PER	OL10-0424-97	10/30/97	JR	JS

SUGGESTED MATING TAB

NOTE: MOLD TO AMP SPEC 115-40-1.



- 1 - MATL: 1/2H BRASS OR NICKEL PL STEEL.
- 2 - NO BURRS PERMISSIBLE AT HOLE.
- 3 - MUST BE FLAT WITHIN 0.076 (+.003) OVER THIS LENGTH.
- 4 - TIN PLATING IS REQUIRED ON BRASS WHEN TERMINAL TEMP. IS OVER 225°F.
- 5 - HOLE MUST BE SYMMETRICAL ABOUT TAB Q WITHIN 0.076 (+.003)
- * TO BE USED ONLY WHEN SHOULDER IS ELIMINATED.



343526-1
PART NO.

THIS DRAWING IS A CONTROLLED DOCUMENT.		DATE	10/30/97	AMP AMP Incorporated Harrisburg, PA 17105-3608
DRAWN BY: J.D. RUTH		CHKD BY: J.C. FICHER	10/30/97	
DIMENSIONS: IN		DESIGNED BY: J.D. RUTH	10/30/97	NAME: HOUSING, RECEPTACLE, POSITIVE-LOCK, 6.35 (.250) SERIES, MK I
TOLERANCES UNLESS SPECIFIED:		PRODUCT SPEC: -	APPLICATION SPEC: -	
MATERIAL: 6/5 NYLON		FINISH: BLACK	REWORK: -	STUDY CASE CODE: DRAWING NO. A200779
CUSTOMER DRAWING		SCALE: 4:1	SHEET: 1 OF 1	RESTRICTED TO: -