

4

3

2

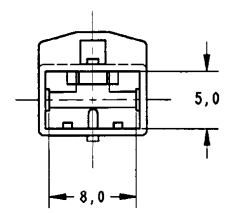
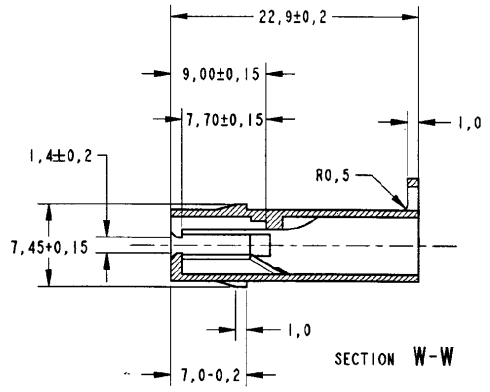
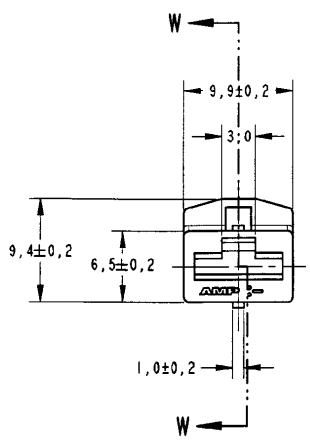
1

THIS DRAWING IS UNPUBLISHED. RELEASED FOR PUBLICATION  
 BY AMP INCORPORATED. ALL RIGHTS RESERVED.

LOC	DIST	REVISIONS				
7	LTR	DESCRIPTION	DATE	DWR	APPD	
AP	-	B	REDRAWN WO CHANGE EC407/99	07JAN00	NCL	PLB
		B1	REVISED PER ECO-10-000445	09JAN10	KK	AEG

**CAD**  
 DO NOT REVISE EXCEPT BY CAD

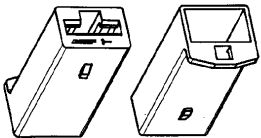
GRAVAÇÃO MARKING	
LOGOTIPO AMP	AMP LOGO
CODIGO PAIS PRODUTOR	MANUFACTURER COUNTRY CODE
NÚMERO CAVIDADE	CAVITY NUMBER



- 1 - INTERCAMBIÁVEL COM PN 180905
- INTERCHANGEABLE WITH PN 180905
- 2 - OBSOLETE PARTS: OBSOLETE CIS STREAMLINING PER D.RENAUD/D.SINISI

- 2 OBSOLETE
- 2 OBSOLETE

---	LARANJA/ORANGE			-9
---	VIOLETA/VIOLET			-8
---	CINZA/GRAY			-7
---	MARROM/BROWN			-6
---	PRETO/BLACK			-5
---	AMARELO/YELLOW			-4
---	AZUL/BLUE			-3
---	VERDE/GREEN			-2
---	VERMELHO/RED			-1
---	NATURAL	P.A 6.6	880305	-0



PERSPECTIVE VIEW  
SCALE 2:1

<small>THIS DRAWING IS A CONTROLLED DOCUMENT FOR AMP INCORPORATED. IT IS SUBJECT TO CHANGE AND THE CONTROLLING ENGINEERING ORGANIZATION SHOULD BE CONTACTED FOR THE LATEST REVISION.</small>		DWG <b>N.C. LAPRESA</b> <small>CHIEF DESIGNER</small> <b>P.L. FARIA</b> <small>APVD</small> <b>F. ALEXANDRONI</b> <small>NAME</small> PRODUCT SPEC APPLICATION SPEC WEIGHT CUSTOMER DRAWING	09DEC99 <b>AMP</b> AMP do Brasil LTDA. São Paulo, Brasil <b>HOUSING, SINGLE CIRCUIT .250S. RCPT.</b> SIZE: A3 CASE CODE: 00779 DRAWING NO: C-880305 RESTRICTED TO:
DIMENSIONS: mm 	TOLERANCES UNLESS OTHERWISE SPECIFIED: 0 PLC ± 1 PLC ±0.5 2 PLC ± 3 PLC ± 4 PLC ± ANGLES ±1°	RAW MAT'L NO FINISH MATERIAL PART NUMBER	SCALE 4:1 SHEET OF REV B1

ORIGINAL