

4

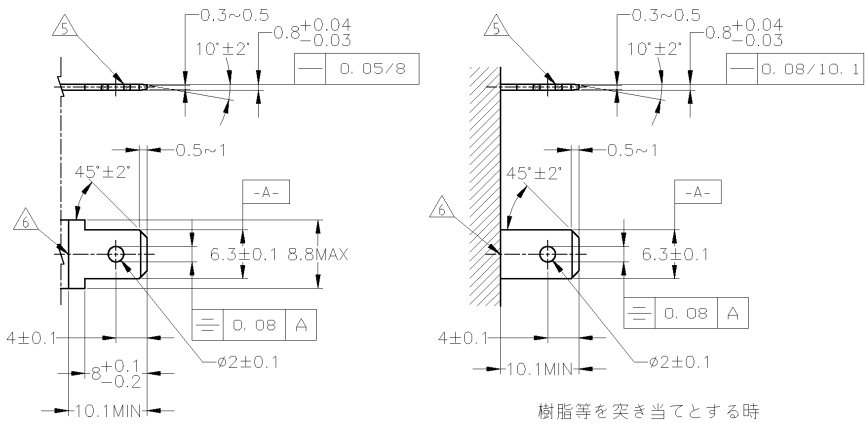
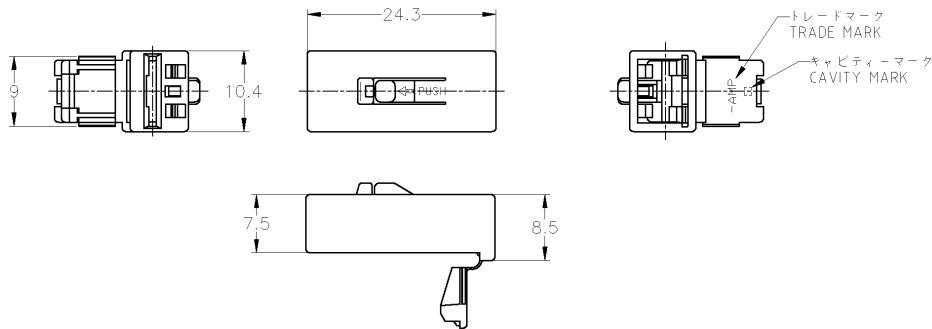
3

2

1

THIS DRAWING IS UNPUBLISHED. RELEASED FOR PUBLICATION
 © COPYRIGHT BY TYCO ELECTRONICS CORPORATION. ALL INTERNATIONAL RIGHTS RESERVED.

| LOC | DIST | REVISIONS | | | |
|-----|---------|---------------|-----------|-----|------|
| P | LTR | DESCRIPTION | DATE | DWN | APVD |
| C | REVISED | ECR-10-004435 | 03MAR2010 | SI | YF |



1. PRODUCT SPEC NO. 108-5150
 2. APPLICATION SPEC NO. 114-5060
 3. CUSTOMER MANUAL NO. CM154J
 4. APPLIDE CONTACT PN 170452, 170454
- △ WORKMANSHIP OF THE TAB HOLE EDGES MUST BE SUCH THAT EDGES MUST BE FREE FROM THE BURRS, WITH THE SHEAR DROOP NOT EXCEEDING 0.1 MILLIMETER
- △ CLEARANCE LINE FOR TAB TO MATE WITH COUNTERPART HOUSING
1. 製品規格番号：108-5150
 2. 取付適用規格番号：114-5060
 3. 取扱説明書番号：CM-154J
 4. 適用コンタクト型番：170452, 170454
- △ タブ穴加工の際、バリがなく穴のダレは0.1を越えないこと
- △ この部分空ハウジングが挿入されるための必要スペース

ショルダーを突き当てとする時

樹脂等を突き当てとする時

タブ寸法推奨図
 RECOMMENDED MATING TAB DESIGN

仕上げ：メッキなし又は錫メッキ
 FINISH: PLAIN OR ELECTRO-TIN
 材料：7/3黄銅 0.8t JIS-3100C-2600P-1/2H
 MATERIAL: 70/30 BRASS, t=0.8

| 一般公差 (GENERAL TOLERANCE) | |
|--------------------------|-------|
| 100以下 | ±0.2 |
| 106 超え 300以下 | ±0.25 |
| 306 超え 1000以下 | ±0.3 |
| 角 度 | ±1° |

| DIMENSIONS: | | TOLERANCES UNLESS OTHERWISE SPECIFIED: | |
|-------------|---------------------|--|--|
| mm | | | |
| 0 PLC | ± | | |
| 1 PLC | ± | | |
| 2 PLC | ± | | |
| 3 PLC | ± | | |
| 4 PLC | ± | | |
| ANGLES | ± | | |
| FINISH | | | |
| MATERIAL | 66 ナイロン 66 NYLON | | |

| | |
|--|--------------------------------|
| THIS DRAWING IS A CONTROLLED DOCUMENT. | DWN T. SHINOHARA 17AUG09 |
| | CHK K. BETSUI 17AUG09 |
| | APVD K. BETSUI 17AUG09 |
| PRODUCT SPEC | SEE NOTE 1 |
| APPLICATION SPEC | SEE NOTE 2 |
| WEIGHT | - |
| CUSTOMER DRAWING | |

| | |
|---------------|------------------|
| 茶 / BROWN | 174090-3 |
| 黒 / BLACK | 174090-2 |
| 自然色 / NATURAL | 174090-1 |
| 色 / COLOR | 型番 / PART NUMBER |

Tyco Electronics Tyco Electronics Corporation
Kawasaki, Japan

NAME: 250 POSITIVE LOCK 1POS. PLUG HOUSING
LOW PRO TYPE CONNECTOR

SIZE: A3 CAGE CODE: 00779 DRAWING NO: 174090 RESTRICTED TO: -

SCALE: 2:1 SHEET: 1 OF 1 REV: C