

4

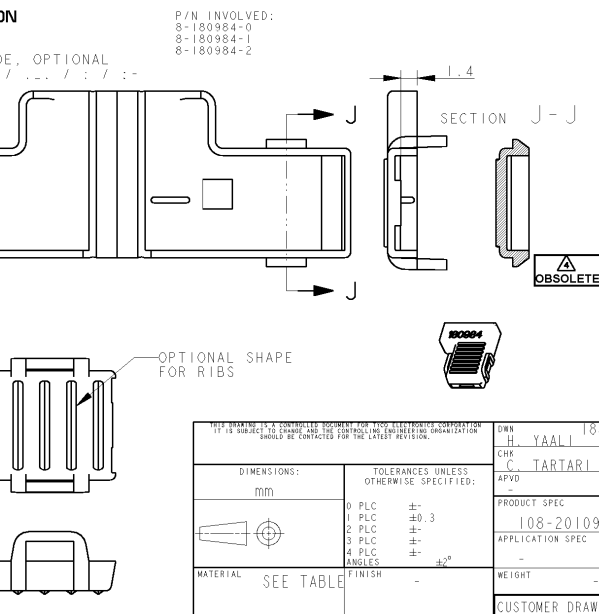
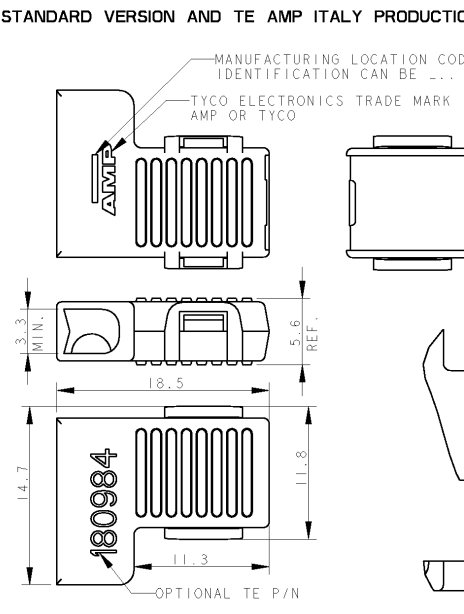
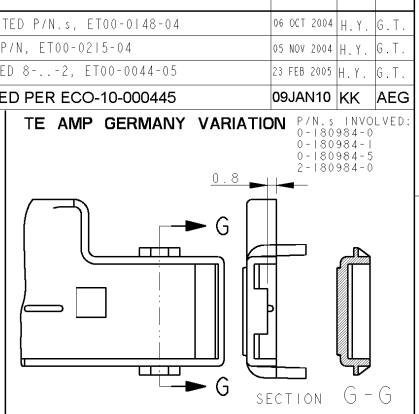
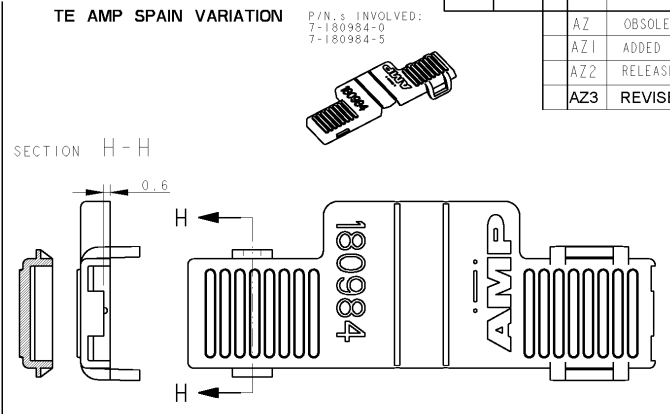
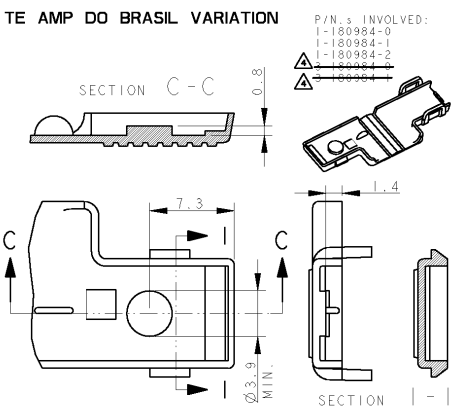
3

2

1

THIS DRAWING IS UNPUBLISHED. RELEASED FOR PUBLICATION 2002
COPYRIGHT 2002 BY TYCO ELECTRONICS CORPORATION. ALL RIGHTS RESERVED.

LOC	DIST	REVISIONS					
		P	LTR	DESCRIPTION	DATE	DMN	APVD
		AZ		OBSOLETE P/N.s, ET00-0148-04	06 OCT 2004	H.Y.	G.T.
		AZ1		ADDED P/N, ET00-0215-04	05 NOV 2004	H.Y.	G.T.
		AZ2		RELEASED 8-1-2, ET00-0044-05	23 FEB 2005	H.Y.	G.T.
		AZ3		REVISED PER ECO-10-000445	09JAN10	KK	AEG



1) ADATTO PER TERMINALI FEMMINA FLAG FASTON 6.3 mm sr.
Es.: P/N.s 180464-... 280050-... 282181-... 282184-...
(SUITABLE FOR FLAG FASTON .250" sr.; RECEPTACLE CONTACTS
Ex.: P/N.s 180464-... 280050-... 282181-... 282184-...)

2) CONDIZIONE DI FORNITURA (SUPPLY CONDITION)

3) PRODUCT IN ACCORDANCE TO IEC 60335-1 NORM.

OBSELETE PARTS: OBSELETE CIS STREAMLINING PER D.RENAUD/D.SINISI

3	NATURALE (NATURAL)	PA 6 UNFILLED	8-180984-2	AZ
	NERO (BLACK)	PA 6.6 UL 94-V0	8-180984-1	AY
	NATURALE (NATURAL)		8-180984-0	AY
	NERO (BLACK)	PA 6.6	7-180984-5	AY
	NATURALE (NATURAL)	UNFILLED (UL 94-V2)	7-180984-0	AY
	NERO (BLACK)	PA6.6, STOCK N. 702747-2	3-180984-1	AY
	NATURALE (NATURAL)	PA 6.6 FLAME RETAD.	2-180984-0	AY
	NATURALE (NATURAL)	ULTRAMID A3W	2-180984-0	AY
	NERO (BLACK)		1-180984-2	AY
	ROSSO (RED)		1-180984-1	AY
	NATURALE (NATURAL)	PA 6.6	1-180984-0	AY
	NERO (BLACK)	UNFILLED (UL 94-V2)	0-180984-5	AY
	ROSSO (RED)		0-180984-1	AY
	NATURALE (NATURAL)		0-180984-0	AY

NOTE

COLORE (COLOUR)

MATERIALE (MATERIAL)

NUMERO (P/N)

REV

OWN: H. YAALI 18SEP2002

CHK: C. TARTARI

APVD: -

NAME: tyco Electronics AMP Italia S.p.A. Corso F.lli Cervi, 15 COLLEGNO (TO)

PRODUCT SPEC: 108-20109

APPLICATION SPEC: -

WEIGHT: -

CUSTOMER DRAWING

SIZE: A3

CAGE CODE: 00779

DRAWING NO: C-180984

RESTRICTED TO: -

SCALE: 3:1

SHEET: 1

OF: 1

REV: AZ3

AMP 1470-19 REV 31MAR2000

P12/ENGINEER DRAWING