

4

3

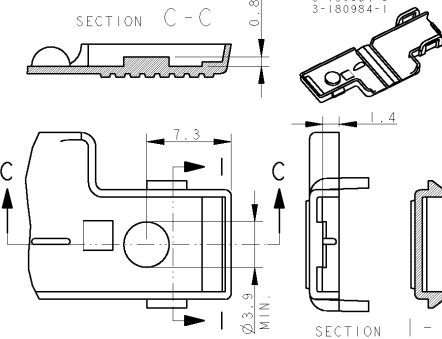
2

1

THIS DRAWING IS UNPUBLISHED. RELEASED FOR PUBLICATION 2002
 COPYRIGHT 2002 BY TYCO ELECTRONICS CORPORATION. ALL RIGHTS RESERVED.

TE AMP DO BRASIL VARIATION

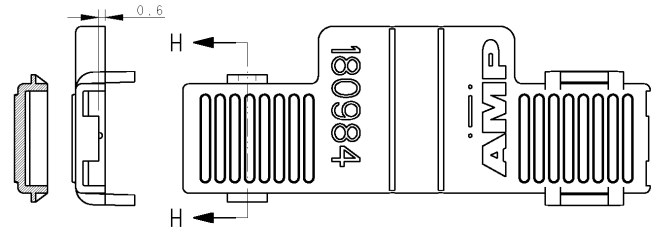
P/N.s INVOLVED:
 1-180984-0
 1-180984-1
 1-180984-2
 3-180984-0
 3-180984-1



TE AMP SPAIN VARIATION

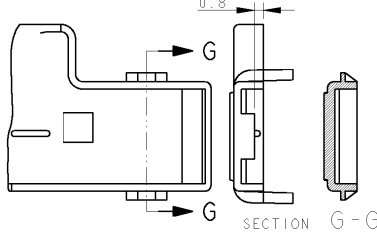
P/N.s INVOLVED:
 7-180984-0
 7-180984-5

SECTION H-H



TE AMP GERMANY VARIATION

P/N.s INVOLVED:
 0-180984-0
 0-180984-1
 0-180984-5
 2-180984-0

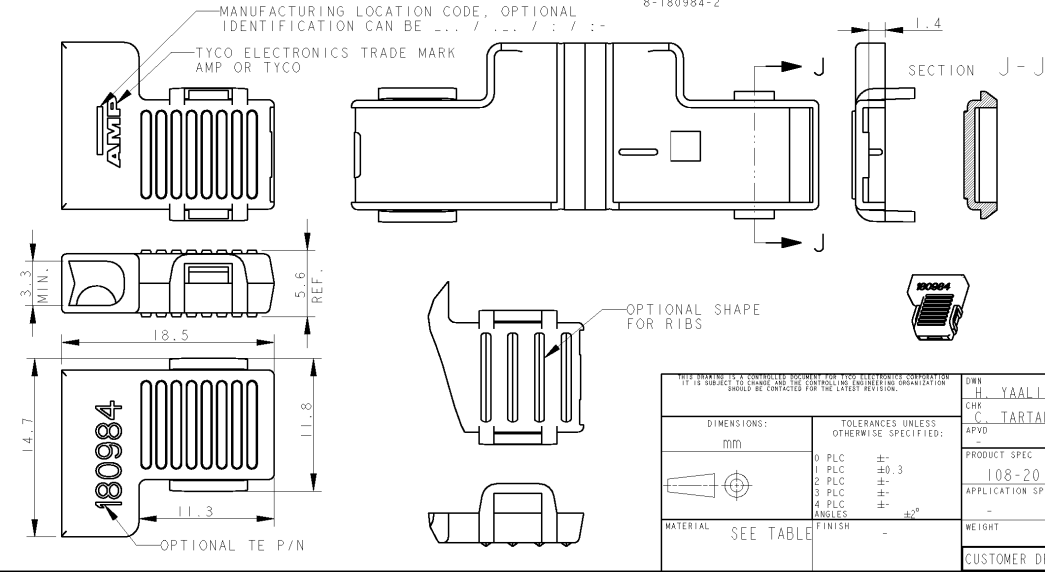


LOC	DIST	P	LTR	DESCRIPTION	DATE	DNW	APVD
				AY9 UPDATED, ET00-0110-04	28 MAY 2004	H.Y.	C.T.
				AZ OBSOLETE P/N.s, ET00-0148-04	06 OCT 2004	H.Y.	G.T.
				AZ1 ADDED P/N, ET00-0215-04	05 NOV 2004	H.Y.	G.T.
				AZ2 RELEASED 8-...-2, ET00-0044-05	23 FEB 2005	H.Y.	G.T.

STANDARD VERSION AND TE AMP ITALY PRODUCTION

P/N INVOLVED:
 8-180984-0
 8-180984-1
 8-180984-2

- 1) ADATTO PER TERMINALI FEMMINA FLAG FASTON 6.3 mm sr. Es.: P/N.s 180464-...; 280050-...; 282181-...; 282184-... (SUITABLE FOR FLAG FASTON .250" sr.; RECEPTACLE CONTACTS Ex.: P/N.s 180464-...; 280050-...; 282181-...; 282184-...)
- 2) CONDIZIONE DI FORNITURA (SUPPLY CONDITION)
- 3) PRODUCT IN ACCORDANCE TO IEC 60335-1 NORM.



3	NATURALE (NATURAL)	PA 6 UNFILLED	8-180984-2	AZ
	NERO (BLACK)	PA 6.6 UL 94-V0	8-180984-1	AY
	NATURALE (NATURAL)		8-180984-0	AY
	NERO (BLACK)	PA 6.6	7-180984-5	AY
	NATURALE (NATURAL)	UNFILLED (UL 94-V2)	7-180984-0	AY
	NERO (BLACK)	PAGE, STOCK N. 702747-2	3-180984-1	AY
	NATURALE (NATURAL)	PA 6.6 FLAME RETAD.	3-180984-0	AY
	NATURALE (NATURAL)	ULTRAMID A3W	2-180984-0	AY
	NERO (BLACK)		1-180984-2	AY
	ROSSO (RED)		1-180984-1	AY
	NATURALE (NATURAL)	PA 6.6	1-180984-0	AY
	NERO (BLACK)	UNFILLED (UL 94-V2)	0-180984-5	AY
	ROSSO (RED)		0-180984-1	AY
	NATURALE (NATURAL)		0-180984-0	AY

DIMENSIONS:		TOLERANCES UNLESS OTHERWISE SPECIFIED:	
mm			
0 PLC	±		
1 PLC	±0.3		
2 PLC	±		
3 PLC	±		
4 PLC	±		
ANGLES	±	0.2°	
FINISH		-	

NOTE

18SEP2002
 H. YAALI
 C. TARTARI
 APVD - NAME
 PRODUCT SPEC 108-20109
 APPLICATION SPEC
 WEIGHT -
 CUSTOMER DRAWING

tyco Electronics
 tyco Electronics AMP Italia S.p.A.
 Corso F.lli Cervi, 15 COLLEGNO (TO)

FLAG FASTON BOOT .250" SERIES

SIZE CAGE CODE DRAWING NO RESTRICTED TO
 A3 00779 C-180984 -

SCALE 3:1 SHEET 1 OF 1 REV A22

AMP 1470-19 REV 31MAR2000

P12/ENGINEER DRAWING