

4

3

2

1

THIS DRAWING IS UNPUBLISHED. RELEASED FOR PUBLICATION
 © COPYRIGHT - BY TYCO ELECTRONICS CORPORATION. ALL RIGHTS RESERVED.

LOC	DIST	REVISIONS 変更					
J	-	P	LTR	DESCRIPTION	DATE	DWN	APVD
		H1		REVISED ECR-07-022187	19SEP2007	M.S	S.M
		H2		REVISED PER ECO-10-000443	12JAN10	KK	AEG

△	OBSOLETE	215032-1	2-170823-9	SEE 7 OF 13
		246225	2-170823-8	SEE 2 OF 13
△	OBSOLETE	238035-3	2-170823-7	SEE 10 OF 13
	OBSOLETE	235818	2-170823-5	SEE 12 OF 13
		234018-4	2-170823-4	
	OBSOLETE	234025-1	2-170823-3	SEE 13 OF 13
	△	234030-1	2-170823-2	
	OBSOLETE	230032-1	2-170823-1	SEE 9 OF 13
		238035-2	2-170823-0	
		238035-1	1-170823-9	
		238032-1	1-170823-8	SEE 10 OF 13
△	OBSOLETE	238020-1	4-170823-7	
		238038	1-170823-6	
		238035	1-170823-5	
		235825-1	1-170823-4	SEE 12 OF 13
		235822	1-170823-3	
		234018-2	1-170823-2	
		234018-1	1-170823-1	SEE 13 OF 13
		234030	1-170823-0	
		234018	170823-9	
		234016	170823-8	
△	OBSOLETE	238060	170823-7	
		238048	170823-6	
		238032	170823-4	SEE 10 OF 13
		238020	170823-3	
		238025	170823-2	
		234025	170823-1	SEE 13 OF 13
		SHINAGAWA SHOKO PN	AMP PN	REMARK

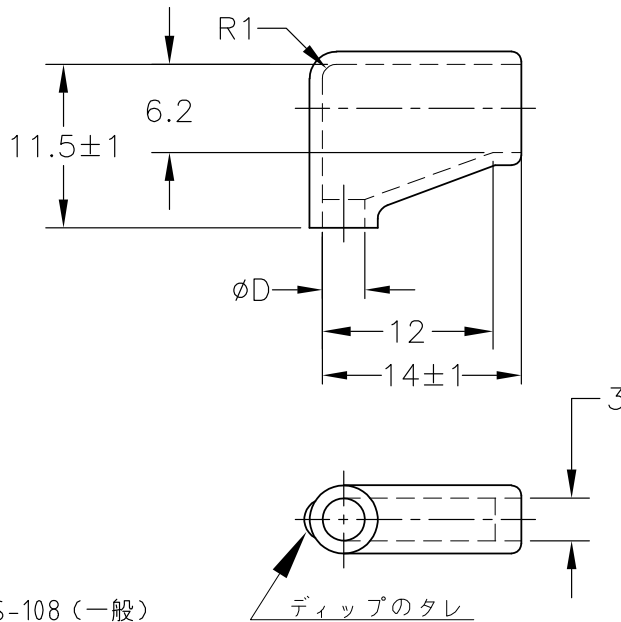
		24623204	5-170823-8	SEE 2 OF 13
		248550	5-170823-7	SEE 3 OF 13
		246230	5-170823-6	SEE 2 OF 13
		234025-4	5-170823-4	
	OBSOLETE	234028	5-170823-3	SEE 13 OF 13
	OBSOLETE	224222	5-170823-1	SEE 8 OF 13
△	OBSOLETE	246232-1	5-170823-0	SEE 2 OF 13
	OBSOLETE	238040	4-170823-9	
	OBSOLETE	238025-2	4-170823-8	SEE 10 OF 13
	OBSOLETE	238025-1	4-170823-7	
△	OBSOLETE	234025-3	4-170823-6	SEE 13 OF 13
	OBSOLETE	234025-2	4-170823-5	
	OBSOLETE	248525	4-170823-4	SEE 3 OF 13
△	OBSOLETE	215025W	4-170823-3	SEE 6 OF 13
	OBSOLETE	236525W	4-170823-2	SEE 5 OF 13
		236525	4-170823-1	SEE 11 OF 13
	OBSOLETE	234025W	4-170823-0	SEE 5 OF 13
		246232	3-170823-8	SEE 2 OF 13
	OBSOLETE	230025W	3-170823-7	SEE 4 OF 13
	OBSOLETE	238025W	3-170823-6	SEE 5 OF 13
		215028	3-170823-5	SEE 7 OF 13
		224228	3-170823-4	SEE 8 OF 13
△	OBSOLETE	215032W	3-170823-3	SEE 6 OF 13
	OBSOLETE	238032-3	3-170823-2	
	OBSOLETE	238032-2	3-170823-1	SEE 10 OF 13
		SHINAGAWA SHOKO PN	AMP PN	REMARK

X-170892-X	SEE 170892
X-170893-X	SEE 170893
X-170887-X	SEE 170887
X-170889-X	SEE 170889
X-170888-X	SEE 170888
X-170890-X	SEE 170890
X-170891-X	SEE 170891
AMP PN	REMARK

△ OBSOLETE PARTS: OBSOLETE CIS STREAMLINING PER D.RENAUD/D.SINISI

DIMENSIONS: 單位: 種 MM		TOLERANCES UNLESS OTHERWISE SPECIFIED: 種公差		DWN A. YAMAGUCHI 31AUG00		Tyco Electronics Tyco Electronics AMP K.K. Kawasaki, Japan	
0 PLC	±	±	±	CHK D. MATSUURA 31AUG00	NAME 名	INSULATION SLEEVE	
1 PLC	±	±	±	APVD K. BETSUI 31AUG00	SIZE	CAGE CODE	DRAWING NO 番号
2 PLC	±	±	±	PRODUCT SPEC 製品規格	A3	00779	170823
3 PLC	±	±	±	APPLICATION SPEC 取付適用規格	RESTRICTED TO	-	
4 PLC	±	±	±	WEIGHT	CUSTOMER DRAWING		
ANGLES	±	±	±	SCALE 尺度	1:1	SHEET 張	1 OF 13
FINISH 仕上				REV H2			

LOC	DIST	REVISIONS					
J	—	P	LTR	DESCRIPTION	DATE	DWN	APVD
				SEE SHEET 1	—	—	—



1. 材質：SS-108（一般）
2. 一般公差：±0.5
3. 適用製品規格は無し
- ⚠ 品川商工発行のカタログと本図で寸法が異なる場合は本図を優先する。
5. この製品の名称は旗型コネクタスリーブ187シリーズ

1. MATERIAL:SS-108(GENERAL)
2. GENERAL TOLERANCE: ±0.5
3. APPLICABLE PRODUCT SPEC NOT AVAILABLE
- ⚠ IN THE EVENT OF CONFLICT BETWEEN THE REQUIREMENTS OF THIS CUSTOMER DRAWING AND THE SHINAGAWA SHOKO CO LTD CATALOG THIS CUSTOMER DRAWING SHALL TAKE PRECEDENCE
5. THIS PRODUCT NAME FLAG TYPE CONNECT SLEEVE FOR 187 SERIES
- ⚠ OBSOLETE PARTS: OBSOLETE CIS STREAMLINING PER D.RENAUD/D.SINISI

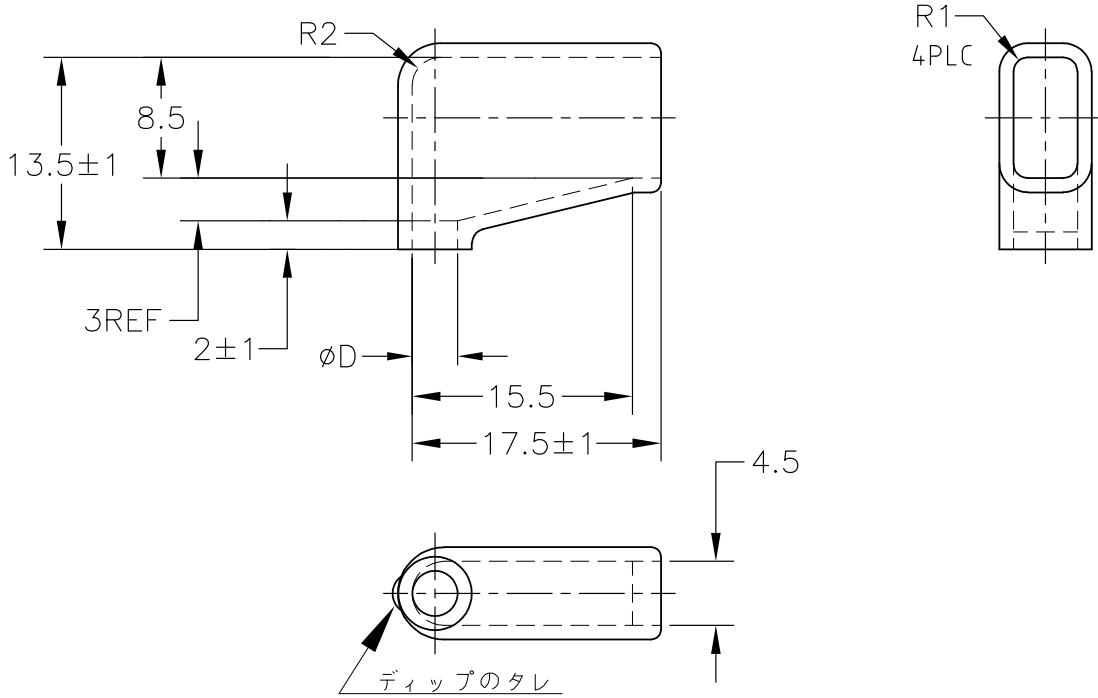
 OBSOLETE	BLACK	$1^{+0.3}_{-0.2}$	3.2	24623204	5-170823-8
	CLEAR		3	246230	5-170823-6
			3.2	246232-1	5-170823-0
			3.2	246232	3-170823-8
			2.5	246225	2-170823-8
COLOR	THICKNESS	φ D	SHINAGAWA SHOKO PN	AMP PN	

THIS DRAWING IS UNPUBLISHED.

ALL RIGHTS RESERVED. BY TYCO ELECTRONICS CORPORATION.

DIMENSIONS: 単位： 耗 MM	DWN	31AUG00	MATERIAL	FINISH		
	A. YAMAGUCHI		—	—		
TOLERANCES UNLESS OTHERWISE SPECIFIED: 一般公差	CHK	31AUG00	Tyco Electronics AMP K.K. Kawasaki, Japan			
	D. MATSUURA					
0 PLC ± - 1 PLC ± - 2 PLC ± - 3 PLC ± - 4 PLC ± - ANGLES ± -	APVD	31AUG00	NAME			
	K. BETSUI		INSULATION SLEEVE			
PRODUCT SPEC 製品規格	APPLICATION SPEC		SIZE	CAGE CODE	DRAWING NO	RESTRICTED TO
	取付適用規格		A4	00779	170823	—
WEIGHT	CUSTOMER DRAWING		SCALE	SHEET	REV	
			尺度	2:1	2 OF 13	H2

LOC	DIST	REVISIONS 変更					
J	—	P	LTR	DESCRIPTION	DATE	DWN	APVD
		—		SEE SHEET 1	—	—	—



- 1. 材質：SS-108（一般）
- 2. 一般公差：±0.5
- 3. 適用製品規格は無し
- △4 品川商工発行のカタログと本図で寸法が異なる場合は本図を優先する。
- 5. この製品の名称は旗型コネクタスリーブ250シリーズ

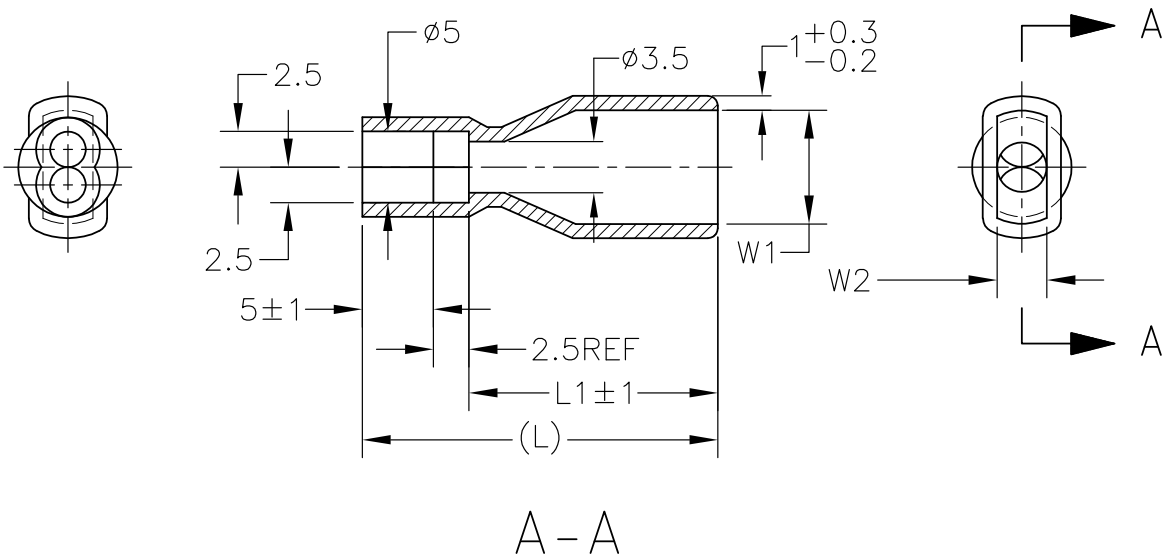
- 1. MATERIAL:SS-108(GENERAL)
- 2. GENERAL TOLERANCE : ±0.5
- 3. APPLICABLE PRODUCT SPEC NOT AVAILABLE
- △4 IN THE EVENT OF CONFLICT BETWEEN THE REQUIREMENTS OF THIS CUSTOMER DRAWING AND THE SHINAGAWA SHOKO CO LTD CATALOG THIS CUSTOMER DRAWING SHALL TAKE PRECEDENCE
- 5. THIS PRODUCT NAME FLAG TYPE CONNECT SLEEVE FOR 250 SERIES
- △6 OBSOLETE PARTS: OBSOLETE CIS STREAMLINING PER D.RENAUD/D.SINISI

△6	OBSOLETE	CLEAR	1±0.3	5	248550	5-170823-7
	OBSOLETE			2.5	248525	4-170823-4
	COLOR	THICKNESS	φ D	△ SHINAGAWA SHOKO PN		AMP PN

THIS DRAWING IS UNPUBLISHED. ALL RIGHTS RESERVED. BY TYCO ELECTRONICS CORPORATION. COPYRIGHT

DIMENSIONS: 単位： 耗 MM	DWN	31AUG00	MATERIAL	FINISH		
	A. YAMAGUCHI		—	—		
TOLERANCES UNLESS OTHERWISE SPECIFIED: 一般公差	CHK	31AUG00	Tyco Electronics AMP K.K. Kawasaki, Japan			
	D. MATSUURA					
0 PLC ± - 1 PLC ± - 2 PLC ± - 3 PLC ± - 4 PLC ± - ANGLES ± -	APVD	31AUG00	NAME			
	K. BETSUI		INSULATION SLEEVE			
	PRODUCT SPEC		SIZE	CAGE CODE	DRAWING NO	RESTRICTED TO
	製品規格		A4	00779	①-170823	—
	APPLICATION SPEC		SCALE		SHEET	REV
	取付適用規格		2:1		3 OF 13	H2
	WEIGHT		CUSTOMER DRAWING			

LOC	DIST	REVISIONS 変更					
J	—	P	LTR	DESCRIPTION	DATE	DWN	APVD
				SEE SHEET 1	—	—	—



1. 材質：SS-108（一般）
2. 一般公差：±0.5
3. 適用製品規格は無し
- △ 品川商工発行のカタログと本図で寸法が異なる場合は本図を優先する。
5. この製品の名称はコネクタスリーブ AMP00シリーズ

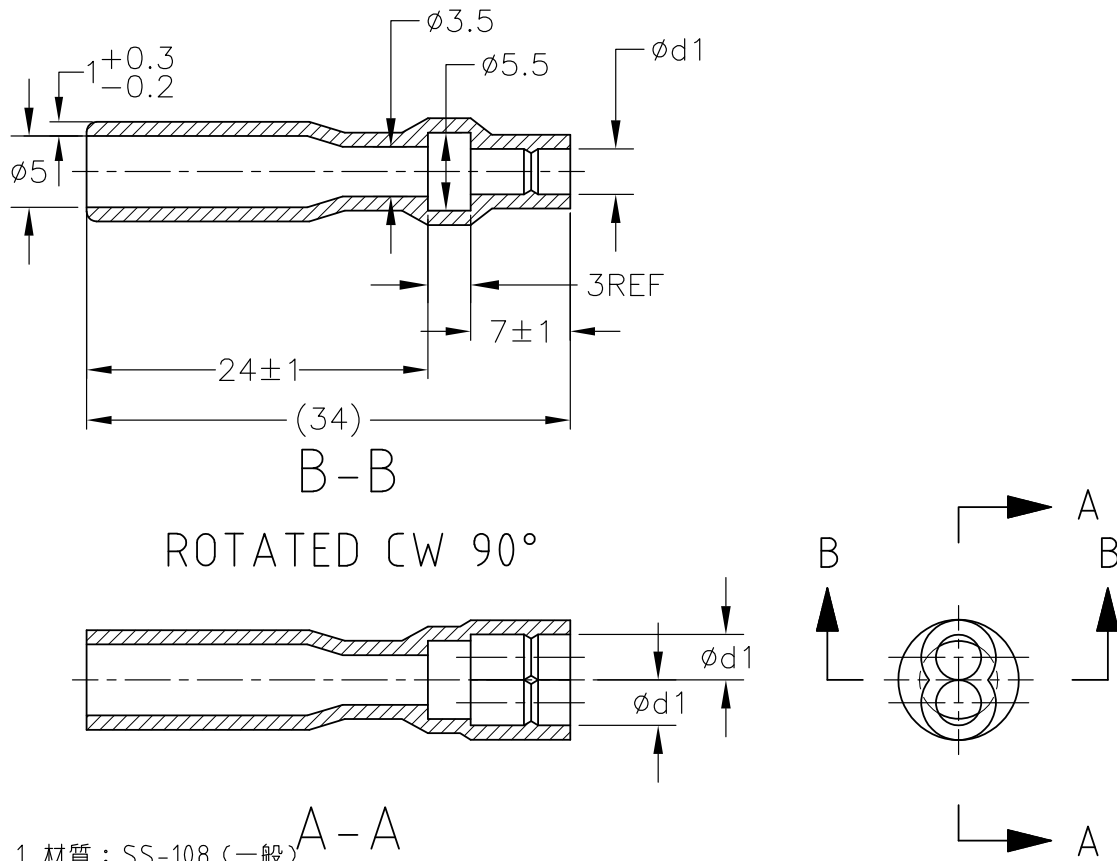
1. MATERIAL:SS-108(GENERAL)
2. GENERAL TOLERANCE : ±0.5
3. APPLICABLE PRODUCT SPEC NOT AVAILABLE
- △ IN THE EVENT OF CONFLICT BETWEEN THE REQUIREMENTS OF THIS CUSTOMER DRAWING AND THE SHINAGAWA SHOKO CO LTD CATALOG THIS CUSTOMER DRAWING SHALL TAKE PRECEDENCE
5. THIS PRODUCT NAME FLAG TYPE CONNECT SLEEVE AMP00 SERIES

OBSOLETE	CLEAR	23	15.5	3	6.5	236525W	4-170823-2
OBSOLETE		21	13.5		4	234025W	4-170823-0
OBSOLETE		25	17.5	3.5	8	238025W	3-170823-6
	COLOR	L	L1	W2	W1	△ SHINAGAWA SHOKO PN	AMP PN

THIS DRAWING IS UNPUBLISHED. ALL RIGHTS RESERVED. BY TYCO ELECTRONICS CORPORATION.

DIMENSIONS: 単位： 耗 MM	DWN	31AUG00	MATERIAL	FINISH		
	A. YAMAGUCHI		材料	仕上		
TOLERANCES UNLESS OTHERWISE SPECIFIED: 一般公差	CHK	31AUG00	Tyco Electronics AMP K.K. Kawasaki, Japan			
	D. MATSUURA					
0 PLC ± - 1 PLC ± - 2 PLC ± - 3 PLC ± - 4 PLC ± - ANGLES ± -	APVD	31AUG00	NAME 名称 INSULATION SLEEVE			
	K. BETSUI					
	PRODUCT SPEC		SIZE	CAGE CODE	DRAWING NO	RESTRICTED TO
	製品規格		A4	00779	番号 C-170823	—
	APPLICATION SPEC		CUSTOMER DRAWING		SCALE	SHEET
	取付適用規格				尺度 2:1	5 OF 13
	WEIGHT				REV	H2

LOC	DIST	REVISIONS					
J	—	P	LTR	DESCRIPTION	DATE	DWN	APVD
		—		SEE SHEET 1	—	—	—



1. 材質：SS-108 (一般)
2. 一般公差：±0.5
3. 適用製品規格は無し
4. 品川商工発行のカタログと本図で寸法が異なる場合は本図を優先する。
5. この製品の名称はコネクタスリーブ 5DIAシリーズシュワープラグ リセプタクル

1. MATERIAL:SS-108(GENERAL)
2. GENERAL TOLERANCE: ±0.5
3. APPLICABLE PRODUCT SPEC NOT AVAILABLE
4. IN THE EVENT OF CONFLICT BETWEEN THE REQUIREMENTS OF THIS CUSTOMER DRAWING AND THE SHINAGAWA SHOKO CO LTD CATALOG THIS CUSTOMER DRAWING SHALL TAKE PRECEDENCE
5. THIS PRODUCT NAME : CONNECT SLEEVE 5DIA SERIES SHUR PLUG RECEPTACLE
6. OBSOLETE PARTS: OBSOLETE CIS STREAMLINING PER D.RENAUD/D.SINISI

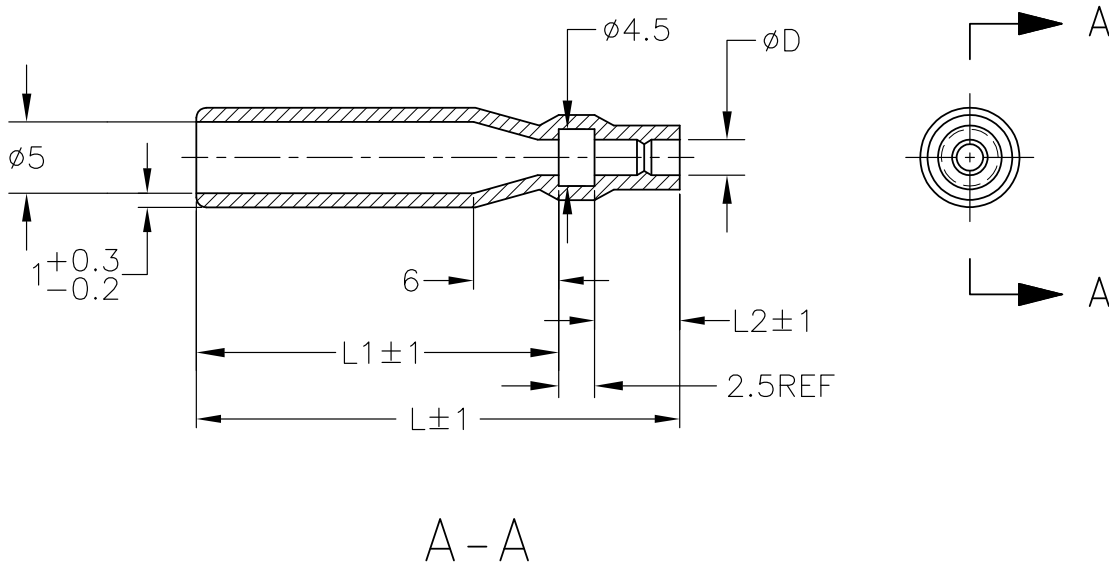
⚠ OBSOLETE	CLEAR	2.5	215025W	4-170823-3
		3.2	215032W	3-170823-3
	COLOR	φ d1	SHINAGAWA SHOKO PN	AMP PN

THIS DRAWING IS UNPUBLISHED.

ALL RIGHTS RESERVED.
BY TYCO ELECTRONICS CORPORATION.
COPYRIGHT

DIMENSIONS: 単位： 耗 MM	DWN	31AUG00	MATERIAL	FINISH
	A. YAMAGUCHI		材料	仕上
TOLERANCES UNLESS OTHERWISE SPECIFIED: 一般公差	CHK	31AUG00	Tyco Electronics AMP K.K. Kawasaki, Japan	
	D. MATSUURA			
0 PLC ± - 1 PLC ± - 2 PLC ± - 3 PLC ± - 4 PLC ± - ANGLES ± -	APVD	31AUG00	NAME	
	K. BETSUI		名称	
PRODUCT SPEC 製品規格	APPLICATION SPEC 取付適用規格		INSULATION SLEEVE	
	WEIGHT		SIZE	CAGE CODE
CUSTOMER DRAWING			A4	00779
			DRAWING NO	RESTRICTED TO
			番号	—
			SCALE	SHEET
			尺度	6 OF 13
			REV	H2

LOC	DIST	REVISIONS 変更					
J	—	P	LTR	DESCRIPTION	DATE	DWN	APVD
			—	SEE SHEET 1	—	—	—



1. 材質：SS-108（一般）
2. 一般公差：±0.5
3. 適用製品規格は無し
- △4 品川商工発行のカタログと本図で寸法が異なる場合は本図を優先する。
5. この製品の名称はコネクタスリーブ 5DIA シリーズ シュフープラグリセプタクル

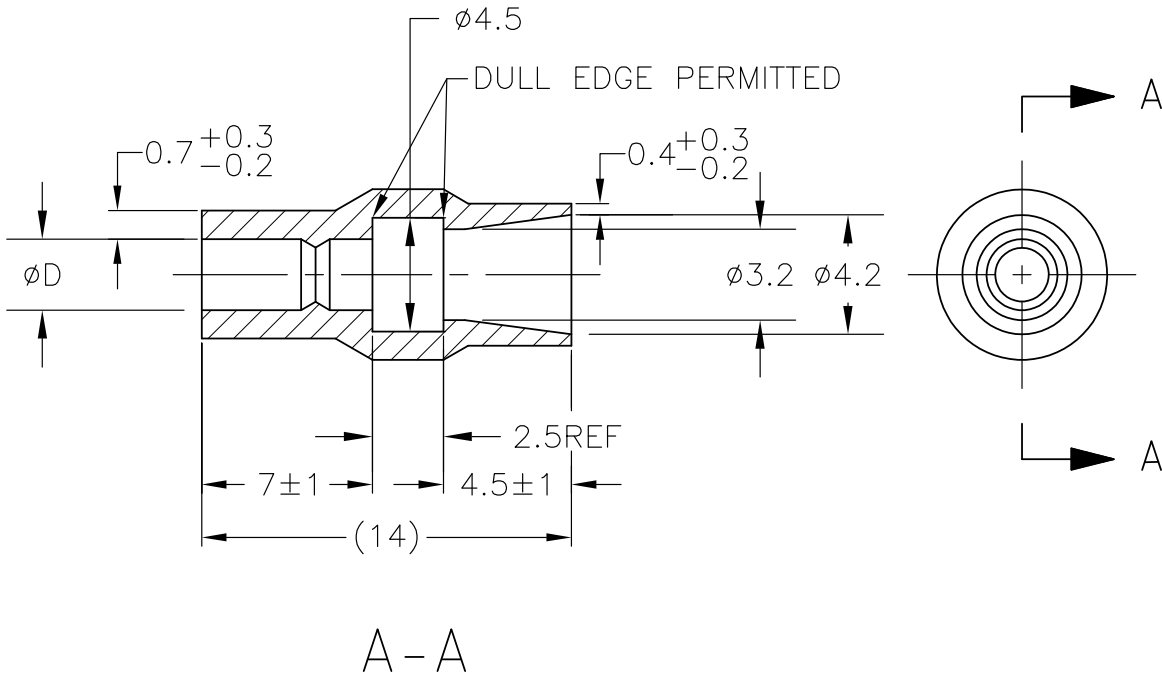
1. MATERIAL:SS-108(GENERAL)
2. GENERAL TOLERANCE : ±0.5
3. APPLICABLE PRODUCT SPEC NOT AVAILABLE
- △4 IN THE EVENT OF CONFLICT BETWEEN THE REQUIREMENTS OF THIS CUSTOMER DRAWING AND THE SHINAGAWA SHOKO CO LTD CATALOG THIS CUSTOMER DRAWING SHALL TAKE PRECEDENCE
5. THIS PRODUCT NAME FLAG TYPE CONNECT SLEEVE 5DIA SERIES SHUR PLUG RECEPTACLE
- △6 OBSOLETE PARTS: OBSOLETE CIS STREAMLINING PER D.RENAUD/D.SINISI

△6 OBSOLETE	CLEAR	33	6	24.5	2.8	215028	3-170823-5
		47	7	37.5	3.2	215032-1	2-170823-9
	COLOR	L	L2	L1	φD	△ SHINAGAWA SHOKO PN	AMP PN

THIS DRAWING IS UNPUBLISHED. ALL RIGHTS RESERVED.
 BY TYCO ELECTRONICS CORPORATION.

DIMENSIONS: 単位： 耗 MM	DWN	31AUG00	MATERIAL	FINISH		
	A. YAMAGUCHI		—	仕上		
	CHK	31AUG00	Tyco Electronics AMP K.K. Kawasaki, Japan			
	D. MATSUURA					
APVD	31AUG00	NAME	INSULATION SLEEVE			
	K. BETSUI		名称			
TOLERANCES UNLESS OTHERWISE SPECIFIED: 一般公差	PRODUCT SPEC		SIZE	CAGE CODE	DRAWING NO	RESTRICTED TO
	製品規格		A4	00779	①-170823	—
0 PLC ± - 1 PLC ± - 2 PLC ± - 3 PLC ± - 4 PLC ± - ANGLES ± -	APPLICATION SPEC		SCALE	SHEET	OF	REV
	取付適用規格		尺度	2:1	7	13 H2
	WEIGHT		CUSTOMER DRAWING			

LOC	DIST	REVISIONS					
J	—	P	LTR	DESCRIPTION	DATE	DWN	APVD
				SEE SHEET 1	—	—	—



1. 材質：SS-108（一般）
2. 一般公差：±0.5
3. 適用製品規格は無し
- △4 品川商工発行のカタログと本図で寸法が異なる場合は本図を優先する。
5. この製品の名称はコネクタスリーブ 5DIAシリーズシュワープラグ

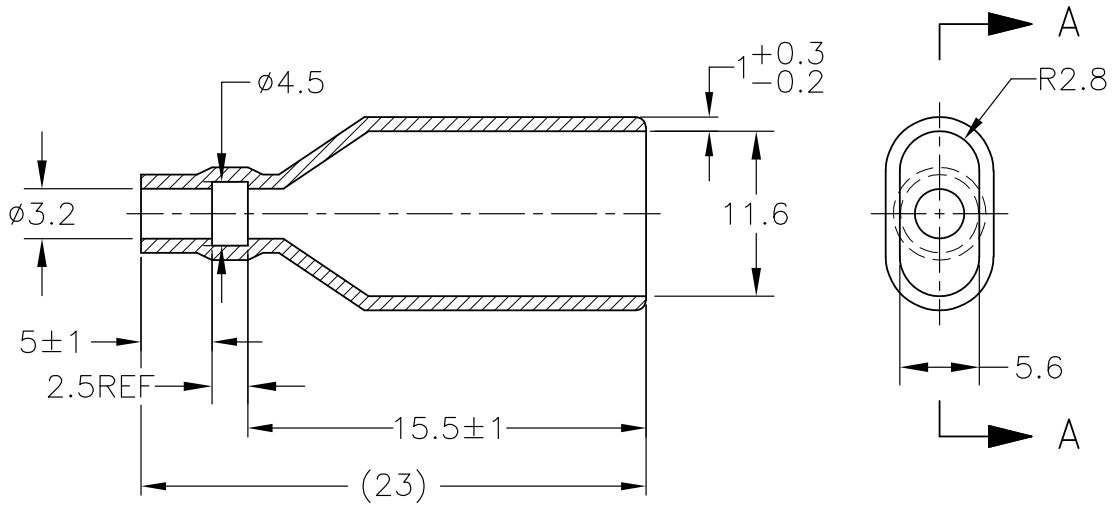
1. MATERIAL:SS-108(GENERAL)
2. GENERAL TOLERANCE: ±0.5
3. APPLICABLE PRODUCT SPEC NOT AVAILABLE
- △4 IN THE EVENT OF CONFLICT BETWEEN THE REQUIREMENTS OF THIS CUSTOMER DRAWING AND THE SHINAGAWA SHOKO CO LTD CATALOG THIS CUSTOMER DRAWING SHALL TAKE PRECEDENCE
5. THIS PRODUCT NAME CONNECT SLEEVE 5DIA SERIES SHUR PLUG
- △6 OBSOLETE PARTS: OBSOLETE CIS STREAMLINING PER D.RENAUD/D.SINISI

△6	OBSOLETE	CLEAR	2.2	224222	5-170823-1
	OBSOLETE		2.8	224228	3-170823-4
		COLOR	φD	△ SHINAGAWA SHOKO PN	AMP PN

THIS DRAWING IS UNPUBLISHED. ALL RIGHTS RESERVED. BY TYCO ELECTRONICS CORPORATION.

DIMENSIONS: 単位： 耗 MM	DWN	31AUG00	MATERIAL	FINISH		
	A. YAMAGUCHI		—	仕上		
TOLERANCES UNLESS OTHERWISE SPECIFIED: 一般公差	CHK	31AUG00	Tyco Electronics AMP K.K. Kawasaki, Japan			
	D. MATSUURA					
0 PLC ± - 1 PLC ± - 2 PLC ± - 3 PLC ± - 4 PLC ± - ANGLES ± -	APVD	31AUG00	NAME 名称 INSULATION SLEEVE			
	K. BETSUI		SIZE	CAGE CODE	DRAWING NO	RESTRICTED TO
PRODUCT SPEC			A4	00779	①-170823	—
APPLICATION SPEC			SCALE 尺度 4:1		SHEET 8 OF 13	REV H2
WEIGHT			CUSTOMER DRAWING			

LOC	DIST	REVISIONS 変更					
J	—	P	LTR	DESCRIPTION	DATE	DWN	APVD
			—	SEE SHEET 1	—	—	—



A-A

1. 材質：SS-108（一般）
2. 一般公差：±0.5
3. 適用製品規格は無し
- ⚠ 品川商工発行のカタログと本図で寸法が異なる場合は本図を優先する。
5. この製品の名称はコネクタスリーブ AMP00シリーズ

1. MATERIAL:SS-108(GENERAL)
2. GENERAL TOLERANCE: ±0.5
3. APPLICABLE PRODUCT SPEC NOT AVAILABLE
- ⚠ IN THE EVENT OF CONFLICT BETWEEN THE REQUIREMENTS OF THIS CUSTOMER DRAWING AND THE SHINAGAWA SHOKO CO LTD CATALOG THIS CUSTOMER DRAWING SHALL TAKE PRECEDENCE
5. THIS PRODUCT NAME FLAG TYPE CONNECT SLEEVE AMP00 SERIES
- ⚠ OBSOLETE PARTS: OBSOLETE CIS STREAMLINING PER D.RENAUD/D.SINISI

⚠ OBSOLETE	CLEAR	230032-1	2-170823-1
	COLOR	⚠ SHINAGAWA SHOKO PN	AMP PN

THIS DRAWING IS UNPUBLISHED.

ALL RIGHTS RESERVED.

BY TYCO ELECTRONICS CORPORATION.

COPYRIGHT

DIMENSIONS: 単位： 耗 MM	DWN	31AUG00	MATERIAL	FINISH
	A. YAMAGUCHI		—	仕上 —
TOLERANCES UNLESS OTHERWISE SPECIFIED: 一般公差	CHK	31AUG00	Tyco Electronics AMP K.K. Kawasaki, Japan	
	D. MATSUURA			
0 PLC ± — 1 PLC ± — 2 PLC ± — 3 PLC ± — 4 PLC ± — ANGLES ± —	APVD	31AUG00	NAME 名称 INSULATION SLEEVE	
	K. BETSUI		SIZE	CAGE CODE
PRODUCT SPEC 製品規格	APPLICATION SPEC 取付適用規格	WEIGHT	A4	00779
CUSTOMER DRAWING			DRAWING NO 番号	RESTRICTED TO
			C-170823	—
			SCALE 尺度	SHEET
			2:1	9 OF 13
			REV	H2

4

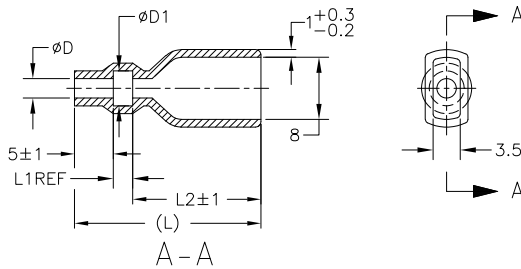
3

2

1

THIS DRAWING IS UNPUBLISHED. RELEASED FOR PUBLICATION
 © COPYRIGHT - BY TYCO ELECTRONICS CORPORATION. ALL RIGHTS RESERVED.

LOC	DIST	REVISIONS					
		P	LTR	DESCRIPTION	DATE	DWN	APVD
J	-	-	-	SEE SHEET 1	-	-	-



1. 材質：SS-108（一般）
2. 一般公差：±0.5
3. 適用製品規格は無し

△ 品川商工発行のカタログと本図で寸法が異なる場合は本図を優先する。

1. MATERIAL:SS-108(GENERAL)
2. GENERAL TOLERANCE: ±0.5
3. APPLICABLE PRODUCT SPEC NOT AVAILABLE

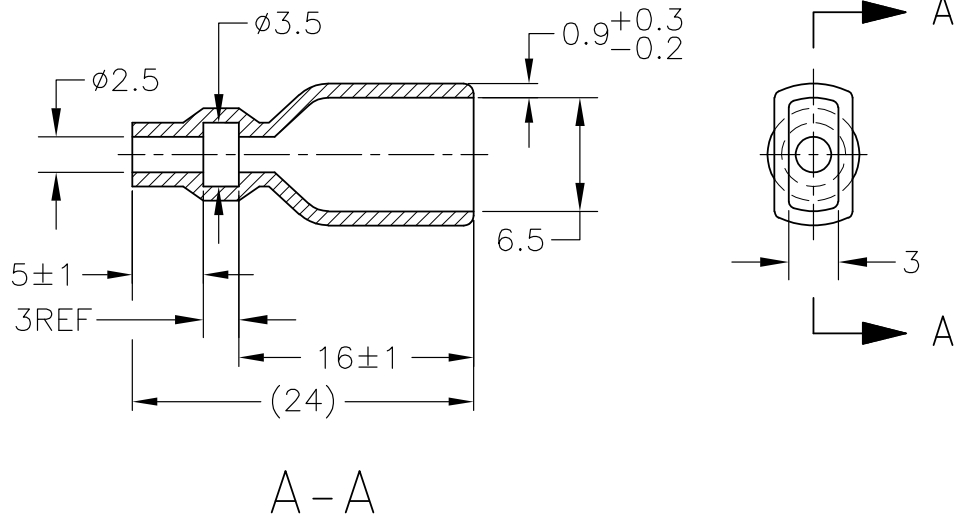
△ IN THE EVENT OF CONFLICT BETWEEN THE REQUIREMENTS OF THIS CUSTOMER DRAWING AND THE SHINAGAWA SHOKO CO LTD CATALOG THIS CUSTOMER DRAWING SHALL TAKE PRECEDENCE

△ OBSOLETE PARTS: OBSOLETE (IS STREAMLINING PER D.RENAUD/D.SINISI)

OBSOLETE	YELLOW	24	16.5	2.5	4.5	2.5	238025-2	4-170823-8
OBSOLETE	RED	25	17.5	3	5	4	238025-1	4-170823-7
OBSOLETE	CLEAR	25	17.5	3	5	4	238040	4-170823-9
OBSOLETE	BROWN	24.5	17.0	2.5	4.7	3.2	238032-3	3-170823-2
OBSOLETE	BLUE	24.5	17.0	2.5	4.7	3.2	238032-2	3-170823-1
△ OBSOLETE	CLEAR	16.5	3	4.5	3.5	238035-3	2-170823-7	
		40.5				32.5	238035-2	2-170823-0
		35.5	27.5	3.5	238035-1	1-170823-9		
		27	19.5	2.5	4.7	3.2	238032-1	1-170823-8
△ OBSOLETE		45	37.5	3	3.2	2	238020-1	4-170823-7
		25	17.5	2.5	5.3	3.8	238038	1-170823-6
		24	16.0	3	4.5	3.5	238035	1-170823-5
△ OBSOLETE		27	19.5	7.5	6	238060	4-170823-7	
		25	17.5	2.5	6.3	4.8	238048	170823-6
		16.5	4.7	3.2	238032	170823-4		
	24	16.0	3	3.2	2	238020	170823-3	
		3	4.5	2.5	238025	170823-2		
	COLOR	L	L2	L1	$\phi D1$	ϕD	SHINAGAWA SHOKO PN	AMP PN

THIS DRAWING IS A CONTROLLED DOCUMENT.		DWN A. YAMAGUCHI 31AUG00	Tyco Electronics Kawasaki, Japan	
DIMENSIONS: 単位: 寸 MM		CHK D. MATSUURA 31AUG02	Tyco Electronics Kawasaki, Japan	
TOLERANCES UNLESS OTHERWISE SPECIFIED: 一般公差		APVD K. BETSUI 31AUG02	INSULATION SLEEVE	
0 PLC ± - 1 PLC ± - 2 PLC ± - 3 PLC ± - 4 PLC ± - ANGLES ± -		NAME 名称	SIZE 寸法	
MATERIAL 材料		FINISH 仕上	CAGE CODE 番号	DRAWING NO 図号
		WEIGHT	00779	170823
		CUSTOMER DRAWING	SCALE 尺度	2:1
			SHEET 張	10 OF 13
			REV 改訂	H2

LOC	DIST	REVISIONS 変更					
J	—	P	LTR	DESCRIPTION	DATE	DWN	APVD
			—	SEE SHEET 1	—	—	—



1. 材質：SS-108（一般）
2. 一般公差：±0.5
3. 適用製品規格は無し
4. 品川商工発行のカタログと本図で寸法が異なる場合は本図を優先する。
5. この製品の名称はコネクタスリーブ AMP205シリーズ

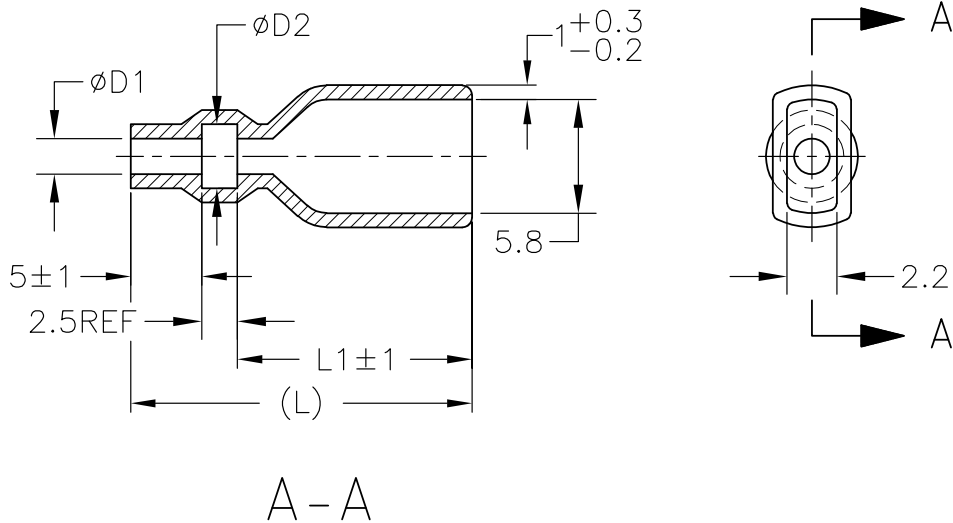
1. MATERIAL:SS-108(GENERAL)
2. GENERAL TOLERANCE: ±0.5
3. APPLICABLE PRODUCT SPEC NOT AVAILABLE
4. IN THE EVENT OF CONFLICT BETWEEN THE REQUIREMENTS OF THIS CUSTOMER DRAWING AND THE SHINAGAWA SHOKO CO LTD CATALOG THIS CUSTOMER DRAWING SHALL TAKE PRECEDENCE
5. THIS PRODUCT NAME FLAG TYPE CONNECT SLEEVE AMP205 SERIES

CLEAR	236525	4-170823-1
COLOR	△ SHINAGAWA SHOKO PN	AMP PN

THIS DRAWING IS UNPUBLISHED. ALL RIGHTS RESERVED.
 BY TYCO ELECTRONICS CORPORATION.

DIMENSIONS: 単位： 耗 MM	DWN	31AUG00	MATERIAL	FINISH		
	A. YAMAGUCHI		—	仕上		
TOLERANCES UNLESS OTHERWISE SPECIFIED: 一般公差	CHK	31AUG00	Tyco Electronics AMP K.K. Kawasaki, Japan			
	D. MATSUURA					
0 PLC ± - 1 PLC ± - 2 PLC ± - 3 PLC ± - 4 PLC ± - ANGLES ± -	APVD	31AUG00	NAME 名称 INSULATION SLEEVE			
	K. BETSUI					
PRODUCT SPEC 製品規格 APPLICATION SPEC 取付適用規格	WEIGHT		SIZE	CAGE CODE	DRAWING NO	RESTRICTED TO
			A4	00779	①-170823	—
CUSTOMER DRAWING			SCALE	SHEET	OF	REV
			尺度	2:1	11	13 H2

LOC	DIST	REVISIONS 変更					
J	—	P	LTR	DESCRIPTION	DATE	DWN	APVD
		—	—	SEE SHEET 1	—	—	—



1. 材質：SS-108（一般）
2. 一般公差：±0.5
3. 適用製品規格は無し
- △4 品川商工発行のカタログと本図で寸法が異なる場合は本図を優先する。
5. この製品の名称はコネクタスリーブ AMP187シリーズ

1. MATERIAL:SS-108(GENERAL)
2. GENERAL TOLERANCE: ±0.5
3. APPLICABLE PRODUCT SPEC NOT AVAILABLE
- △4 IN THE EVENT OF CONFLICT BETWEEN THE REQUIREMENTS OF THIS CUSTOMER DRAWING AND THE SHINAGAWA SHOKO CO LTD CATALOG THIS CUSTOMER DRAWING SHALL TAKE PRECEDENCE
5. THIS PRODUCT NAME FLAG TYPE CONNECT SLEEVE AMP187 SERIES
- △6 OBSOLETE PARTS: OBSOLETE CIS STREAMLINING PER D.RENAUD/D.SINISI

△6 OBSOLETE	CLEAR	23	15.5	3.3	1.8	235818	2-170823-5
		20	12.5	3.5	2.5	235825-1	1-170823-4
		23	15.5	3.7	2.2	235822	1-170823-3
	COLOR	L	L1	$\phi D2$	$\phi D1$	△ SHINAGAWA SHOKO PN	AMP PN

THIS DRAWING IS UNPUBLISHED. BY TYCO ELECTRONICS CORPORATION. ALL RIGHTS RESERVED.

DIMENSIONS: 単位： 耗 MM	DWN	A. YAMAGUCHI	31AUG00	MATERIAL	材料	—	FINISH	仕上	—
	CHK	D. MATSUURA	31AUG00	Tyco Electronics AMP K.K. Kawasaki, Japan					
TOLERANCES UNLESS OTHERWISE SPECIFIED: 一般公差			APVD						
0 PLC ± - 1 PLC ± - 2 PLC ± - 3 PLC ± - 4 PLC ± - ANGLES ± -	PRODUCT SPEC 製品規格			SIZE A4 CAGE CODE 00779 DRAWING NO. 170823 RESTRICTED TO —					
APPLICATION SPEC 取付適用規格			WEIGHT			SCALE 2:1 SHEET 12 OF 13 REV H2			
CUSTOMER DRAWING									

4

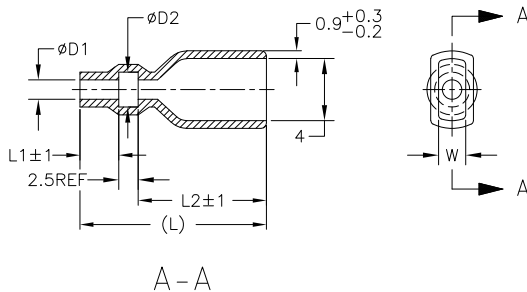
3

2

1

THIS DRAWING IS UNPUBLISHED. RELEASED FOR PUBLICATION
 © COPYRIGHT - BY TYCO ELECTRONICS CORPORATION. ALL RIGHTS RESERVED.

LOC		DIST		REVISIONS				
				変更				
P	LTR	DESCRIPTION			DATE	DWN	APVD	
-	-	SEE SHEET 1			-	-	-	



- 1. 材質：SS-108（一般）
- 2. 一般公差：±0.5
- 3. 適用製品規格は無し
- △ 品川商工発行のカタログと本図で寸法が異なる場合は本図を優先する。
- 1. MATERIAL:SS-108(GENERAL)
- 2. GENERAL TOLERANCE: ±0.5
- 3. APPLICABLE PRODUCT SPEC NOT AVAILABLE
- △ IN THE EVENT OF CONFLICT BETWEEN THE REQUIREMENTS OF THIS CUSTOMER DRAWING AND THE SHINAGAWA SHOKO CO LTD CATALOG THIS CUSTOMER DRAWING SHALL TAKE PRECEDENCE
- △ OBSOLETE PARTS: OBSOLETE CIS STREAMLINING PER D.RENAUD/D.SINISI

△ OBSOLETE	CLEAR	37	29.5	5	3.5	2.5	2	234025-4	5-170823-4		
△ OBSOLETE	YELLOW	21	13.5		4.3	2.8	2.1	234028	5-170823-3		
△ OBSOLETE	RED				3.5	2.5	2	234025-3	4-170823-6		
△ OBSOLETE	BLACK				3.3	1.8	2.1	234018-4	2-170823-4		
△ OBSOLETE	CLEAR	23	15.5		3.5	2.5		234025-1	2-170823-3		
△ OBSOLETE		30	22.5		3.8	3	2	234030-1	2-170823-2		
		23	15.5		3.4	1.8	2.1		234018-2	1-170823-2	
		21	13.5		3.8	3	2		234018-1	1-170823-0	
		18	12.5		3	3	2.8	1.6	2.1	234018	170823-9
		21	13.5		5	3.5	2.5	2		234025	170823-8
	21	13.5	5		3.5	2.5	2		234025	170823-1	
	COLOR	L	L2		L1	$\phi d2$	$\phi d1$	W	SHINAGAWA SHOKO PN	AMP PN	

THIS DRAWING IS A CONTROLLED DOCUMENT.		DWN A. YAMAGUCHI 31AUG00	Tyco Electronics Kawasaki, Japan	
DIMENSIONS: 単位: 寸 MM		CHK D. MATSUURA 31AUG02	INSULATION SLEEVE	
TOLERANCES UNLESS OTHERWISE SPECIFIED: 一般公差		APVD K. BETSUI 31AUG02	NAME 名称	
0. PLC ± 1. PLC ± 2. PLC ± 3. PLC ± 4. PLC ± ANGLES ±		PRODUCT SPEC 製品規格	SIZE A3	
MATERIAL 材料		APPLICATION SPEC 取付適用規格	CAGE CODE 00779	DRAWING NO 170823
FINISH 仕上		WEIGHT	RESTRICTED TO —	
CUSTOMER DRAWING			SCALE 尺度 2:1	SHEET 13 OF 13