

4

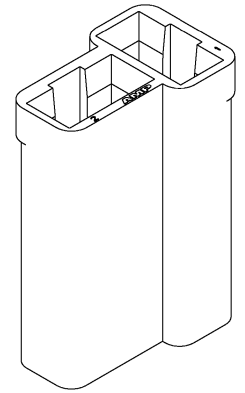
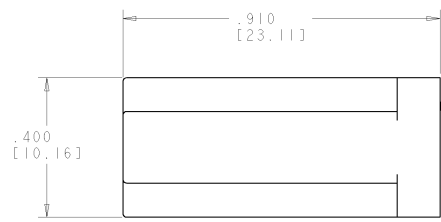
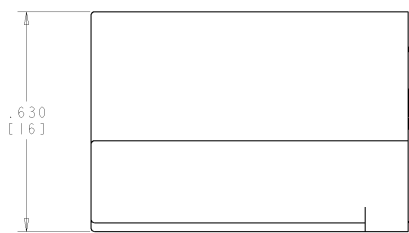
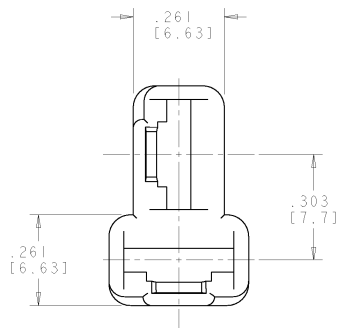
3

2

1

THIS DRAWING IS UNPUBLISHED. RELEASED FOR PUBLICATION BY TYCO ELECTRONICS CORPORATION. ALL RIGHTS RESERVED. (C) COPYRIGHT 2004

REV	DATE	BY	CHKD	DESCRIPTION
U	01JUL2004	RCF	KY	REV PER 063A-0824-03
V	24FEB2005	MF	RR	REVISED PER 063A-0122-05



1. ACCEPTS .250 FASTON 42281, 42904, 60249, 60634, 61127, 61041, AND 62733.

BLACK	NYLON	480115-3
BLACK	NYLON	480115-3
BLACK	NYLON	480115-3
COLOR	MATERIAL	PART NUMBER

DIMENSIONS: INCHES (mm)		DIMENSIONS: INCHES (mm)		DWN R. FLAIG	480115-3	Tyco Electronics Harrisburg, PA 17105-3600
DIMENSIONS: INCHES (mm)		DIMENSIONS: INCHES (mm)		CEN N. DEIBERT	480115-3	AMP 2 CIRCUIT T FASTON RECEPTACLE HOUSING
DIMENSIONS: INCHES (mm)		DIMENSIONS: INCHES (mm)		APPL N. DEIBERT	480115-3	
DIMENSIONS: INCHES (mm)		DIMENSIONS: INCHES (mm)		PRODUCT SPEC APPLICATION SPEC	SIZE CASE CODE DRAWING NO A2100779 C=480115	RESTRICTED TO
DIMENSIONS: INCHES (mm)		DIMENSIONS: INCHES (mm)		WEIGHT CUSTOMER DRAWING	SCALE 5:1	SHEET 1 OF 1 REV V

AMP 1471-8 REV 31MAR2000
 Proj/ENGINEER DRAWING