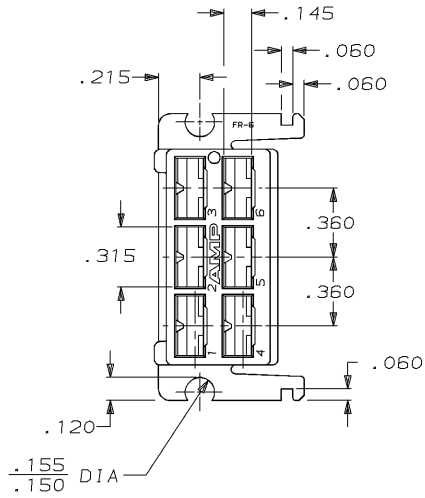
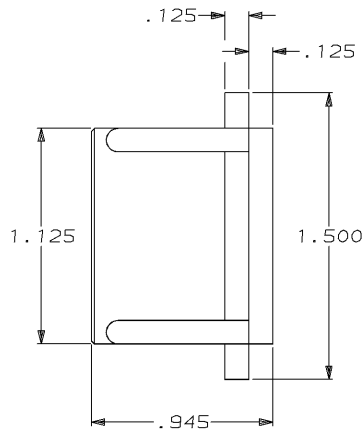
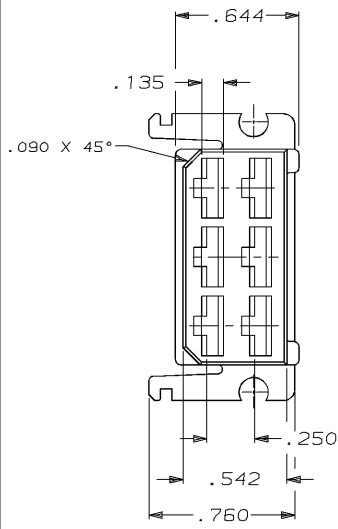


DRAWING MADE IN THIRD ANGLE PROJECTION

THIS DRAWING IS UNPUBLISHED. RELEASED FOR PUBLICATION, 19 .
 © COPYRIGHT 19 BY AMP INCORPORATED. ALL INTERNATIONAL RIGHTS RESERVED.

LOC		DIST		REVISIONS				DATE	APPD
P	F	ZONE	LTR	DESCRIPTION					
AF	50			AB	REV PER 0L10-0069-96			8/30/96	JR/RB



1 HOUSING USED WITH TAB HOUSING 480004.

2 PART NUMBER 480003-5 WAS 480186-3.

3 FOR MOUNTING DIMENSIONS REFER TO APPLICATION SPEC 114-2025.

	NATURAL	6/6 NYLON	480003-5
	COLOR	MATERIAL	PART NO
DO NOT SCALE PRINT. UNLESS SPECIFIED DIMENSIONS ARE IN INCHES TOLERANCES ON: 2 PLC DEC ± .015 ANGLES ± -	DR 2/5/91 JR BUTH CHK 2/5/91 P FORTNEY APPD 2/5/91 C MEYERS APPD 2/5/91 D REIMER PRODUCT SPEC -	AMP AMP Incorporated Harrisburg, PA 17105-3608	
MATERIAL SEE TABLE	FINISH SEE TABLE	NAME HOUSING, RECEPTACLE, FASTIN-FASTON, .250 SERIES	
	APPLICATION SPEC 114-2025	SIZE B	CAGE CODE 00779
	WEIGHT -	DRAWING NO 480003	SCALE 2:1
		SHEET 1 OF 1	

CUSTOMER DRAWING