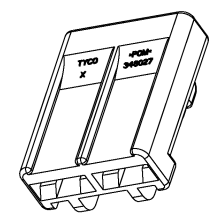
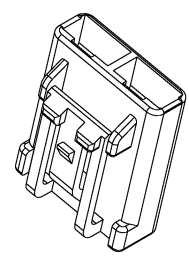
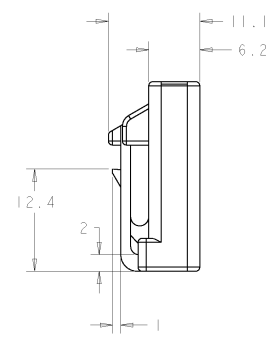
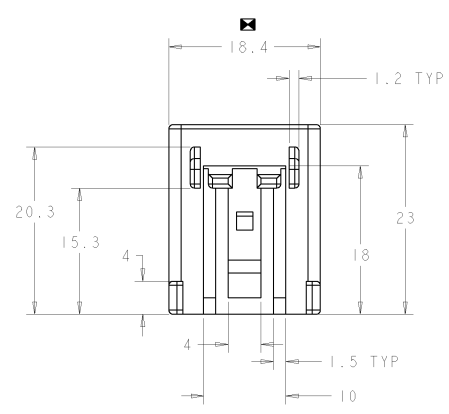
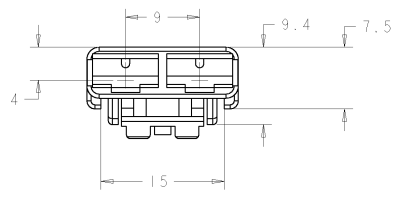


THIS DRAWING IS UNPUBLISHED. RELEASED FOR PUBLICATION BY TYCO ELECTRONICS CORPORATION. ALL RIGHTS RESERVED. (C) COPYRIGHT 2011

REV	DATE	BY	CHKD	DESCRIPTION
B	06/08/04	M.JG	BB	EBAD-0055-04
C	11/11/04	M.JG	BB	EBAD-0058-04
D	24/03/04	RS	BB	ECR-06-007328
E	03/02/04	M.JH	BB	ECR-06-016664



NOTES:

1. THIS HOUSING ACCOMODATES TWO FASTIN-FASTON RECEPTACLES TYCO PART NO 42100. FORD PART NO SL 100.65
2. THIS HOUSING MATES WITH FUEL PUMP IN-MOULDED TAB HEADER ASSEMBLY - FORD PART NO FIDU-9350-AA
3. DENOTES CONTROL DIMENSION FOR SPC PURPOSES

YELLOW	HOSTAFORM CI3031 XF	346027-2
BLACK	HOSTAFORM C9021	346027-1
COLOUR	MATERIAL	PART NO

DIMENSIONS: mm 	DIMENSIONS UNLESS OTHERWISE SPECIFIED: 0 PLC ±0.5 1 PLC ±0.5 2 PLC ±0.5 3 PLC ±0.5 4 PLC ±0.5 ANGLES ±0.2	OWN: M. GREENE 08AUG2004 CHN: B. HARRIS 08AUG2004 APD: B. BAKER 08AUG2004 PRODUCT SPEC APPLICATION SPEC WEIGHT FINISH	tyco Electronics Tyco Electronics UK Ltd, Stoneham, Middx, MK45 4BS.	2 WAY RECEPTACLE HOUSING FASTIN FASTON SIZE CASE CODE DRAWING NO A2100779 C=346027 RESTRICTED TO
MATERIAL SEE TABLE	CUSTOMER DRAWING	SCALE 3:1	SHEET 1 OF 1	REV E