

4

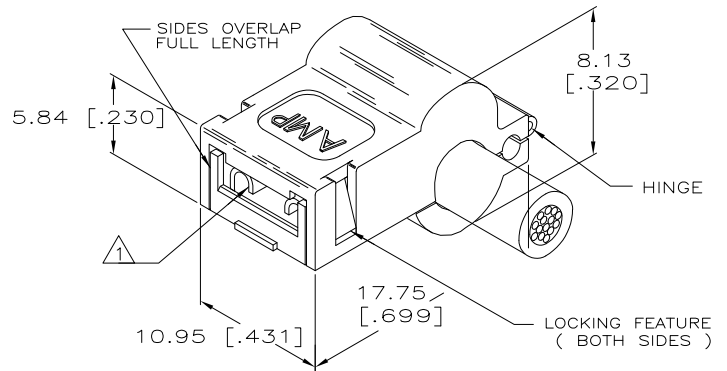
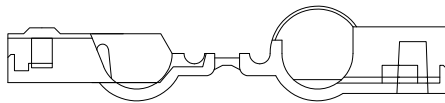
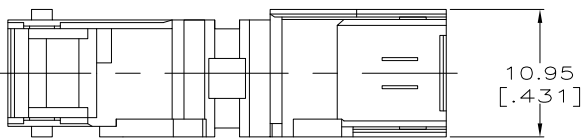
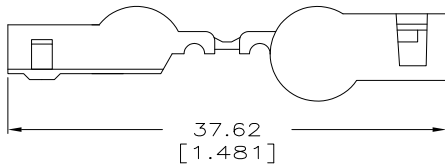
3

2

1

THIS DRAWING IS UNPUBLISHED. RELEASED FOR PUBLICATION
 © COPYRIGHT - BY TYCO ELECTRONICS CORPORATION. ALL RIGHTS RESERVED.

LOC	DIST	REVISIONS				
P	LTR	DESCRIPTION	DATE	DWN	APVD	
AF	50	G3	REV PER ECR 07-015235	27JUL07	JR PD	



NOTES:

- 1 4.75 [.187] SERIES TAB-LOK FLAG FASTON RECEPTACLE. TERMINAL NUMBERS 42486, 42618, 42800, AND 60820.
- 2 SEE CP-29349 FOR RECOMMENDED TAB DETAILS.
- 3 CONTINUOUS STRIP ON REELS.
- 4 LOOSE PIECE (ONE POD).
- 5 GLOW WIRE APPROVED, CONTACT TYCO ELECTRONICS FOR ENGN SPECIFICATIONS, ALL WALL THICKNESSES ARE BETWEEN 0.4mm AND 3.0mm.
- 6 PRELIMINARY - NOT FOR PRODUCTION

4	LOOSE PIECE	5	1-480487-4
4	LOOSE PIECE	6/6 NYLON, V0	1-480487-3 6
4	LOOSE PIECE	6/6 NYLON	1-480487-2
OBSOLETE 3	STRIP	6/6 NYLON	1-480487-0
	TYPE	MATERIAL	PART NO.

THIS DRAWING IS A CONTROLLED DOCUMENT.		DWN	JR RUTH	6/27/97	Tyco Electronics	Tyco Electronics Corporation Harrisburg, PA 17105-3608	
DIMENSIONS: mm [INCHES]		CHK	MS FEHER	6/27/97		NAME	HOUSING, AMPIP, FASTON, TAB-LOK, 4.75 [.187] SERIES
TOLERANCES UNLESS OTHERWISE SPECIFIED:		APVD	R BEAVER	6/27/97	SIZE	CAGE CODE	DRAWING NO
0 PLC ± -		PRODUCT SPEC			A3	00779	C-480487
1 PLC ± -		APPLICATION SPEC			WEIGHT		
2 PLC ± 0.38 [015]					CUSTOMER DRAWING	SCALE	3:1
3 PLC ± -						SHEET	1 of 1
4 PLC ± -						REV	G3
4 PLC ANGLES ± -							
MATERIAL	SEE TABLE	FINISH	NATURAL				