

4

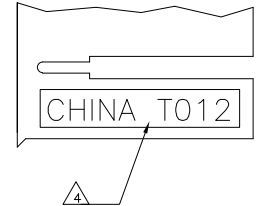
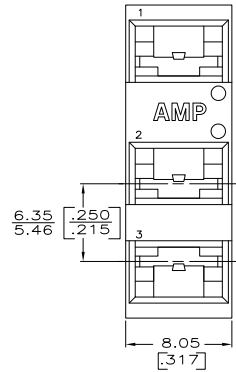
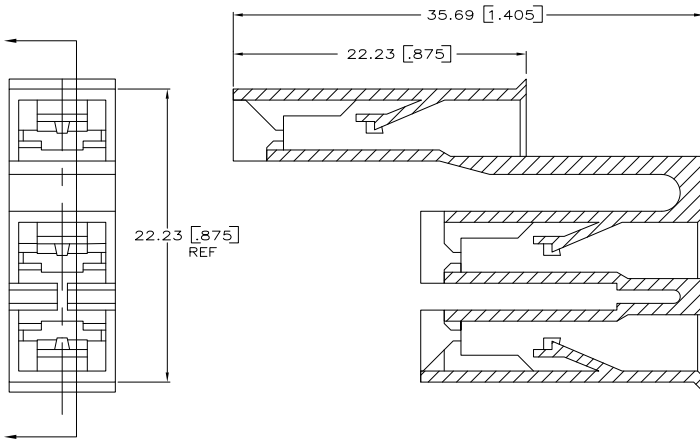
3

2

1

THIS DRAWING IS UNPUBLISHED. RELEASED FOR PUBLICATION
© COPYRIGHT BY TYCO ELECTRONICS CORPORATION. ALL RIGHTS RESERVED.

LOC	DIST	REVISIONS			
P	LTR	DESCRIPTION	DATE	BY	APPD
AF	50	AB4	REV PER EDR 07-019039	13AUG07	JR PD



- 1 DIMENSIONS IN BRACKETS ARE IN INCHES.
- 2 HOUSING TO BE USED WITH THE FOLLOWING TERMINALS; 42452, 42453, 42373, 42374, 42617, 60487, 60573, 60214, 60621, 61017, 61079, 61084, 61124, 61919, 60831, 62138.
- 3 HOUSING TO BE USED WITH CHERRY SWITCH STANDARD FORCE/MINEATURE SERIES E23, E33, E34.

- △ 4 COUNTRY OF ORIGIN AND VENDOR CODE
- △ 5 PRELIMINARY - NOT FOR PRODUCTION

NATURAL	6/6 NYLON, VO	△ 5	360010-6
NATURAL	POLYAMIDE, UL 94, V2, ACCORDING TO IEC 60335-1, GLOW WIRE		360010-5
NATURAL	4/6 NYLON 150° C	△ 5	360010-4
OBSOLETE	-DYED-RED		360010-3
NATURAL	6/6 NYLON, VO		360010-2
NATURAL	6/6 NYLON		360010-1
FINISH	MATERIAL		PART NO

DIMENSIONS:		POLYMER'S UNITS:		OTHER UNITS:		OTHER UNITS:		OTHER UNITS:	
mm	(INCHES)	PLC	mm	PLC	mm	PLC	mm	PLC	mm
		0	PLC	mm	0.38	[0.15]			
		1	PLC	mm					
		2	PLC	mm					
		3	PLC	mm					
		4	PLC	mm					
		5	PLC	mm					
		6	PLC	mm					
		7	PLC	mm					
		8	PLC	mm					
		9	PLC	mm					
		10	PLC	mm					
		11	PLC	mm					
		12	PLC	mm					
		13	PLC	mm					
		14	PLC	mm					
		15	PLC	mm					
		16	PLC	mm					
		17	PLC	mm					
		18	PLC	mm					
		19	PLC	mm					
		20	PLC	mm					
		21	PLC	mm					
		22	PLC	mm					
		23	PLC	mm					
		24	PLC	mm					
		25	PLC	mm					
		26	PLC	mm					
		27	PLC	mm					
		28	PLC	mm					
		29	PLC	mm					
		30	PLC	mm					
		31	PLC	mm					
		32	PLC	mm					
		33	PLC	mm					
		34	PLC	mm					
		35	PLC	mm					
		36	PLC	mm					
		37	PLC	mm					
		38	PLC	mm					
		39	PLC	mm					
		40	PLC	mm					
		41	PLC	mm					
		42	PLC	mm					
		43	PLC	mm					
		44	PLC	mm					
		45	PLC	mm					
		46	PLC	mm					
		47	PLC	mm					
		48	PLC	mm					
		49	PLC	mm					
		50	PLC	mm					
		51	PLC	mm					
		52	PLC	mm					
		53	PLC	mm					
		54	PLC	mm					
		55	PLC	mm					
		56	PLC	mm					
		57	PLC	mm					
		58	PLC	mm					
		59	PLC	mm					
		60	PLC	mm					
		61	PLC	mm					
		62	PLC	mm					
		63	PLC	mm					
		64	PLC	mm					
		65	PLC	mm					
		66	PLC	mm					
		67	PLC	mm					
		68	PLC	mm					
		69	PLC	mm					
		70	PLC	mm					
		71	PLC	mm					
		72	PLC	mm					
		73	PLC	mm					
		74	PLC	mm					
		75	PLC	mm					
		76	PLC	mm					
		77	PLC	mm					
		78	PLC	mm					
		79	PLC	mm					
		80	PLC	mm					
		81	PLC	mm					
		82	PLC	mm					
		83	PLC	mm					
		84	PLC	mm					
		85	PLC	mm					
		86	PLC	mm					
		87	PLC	mm					
		88	PLC	mm					
		89	PLC	mm					
		90	PLC	mm					
		91	PLC	mm					
		92	PLC	mm					
		93	PLC	mm					
		94	PLC	mm					
		95	PLC	mm					
		96	PLC	mm					
		97	PLC	mm					
		98	PLC	mm					
		99	PLC	mm					
		100	PLC	mm					