

4

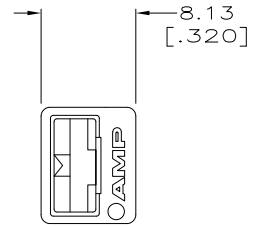
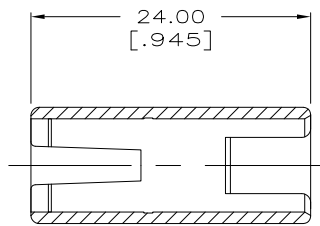
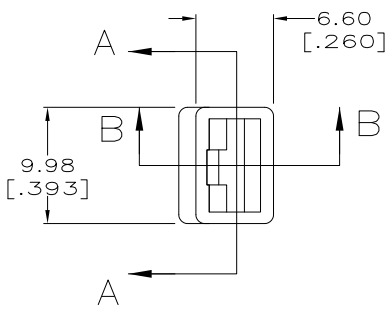
3

2

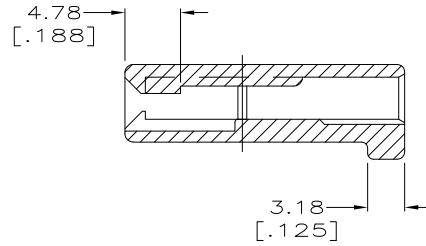
1

THIS DRAWING IS UNPUBLISHED. RELEASED FOR PUBLICATION
 © COPYRIGHT - By - ALL RIGHTS RESERVED.

LOC	DIST	REVISIONS			
P	LTR	DESCRIPTION	DATE	DWN	APVD
AF	50	U1	REVISED PER ECO-11-004587	11MAR11	RK HMR



SECTION A-A



SECTION B-B

OBSOLETE

RED	6/6 NYLON	480054-5
BLACK	6/6 NYLON	480054-4
NATURAL	6/6 NYLON	480054-3
BLACK	CYCOLAC	480054-2
COLOR	MATERIAL	PART NO.

THIS DRAWING IS A CONTROLLED DOCUMENT.

DIMENSIONS: mm [INCHES]	TOLERANCES UNLESS OTHERWISE SPECIFIED:
0 PLC ± -	1 PLC ± -
1 PLC ± -	2 PLC ± 0.38 [015]
2 PLC ± -	3 PLC ± -
3 PLC ± -	4 PLC ± -
4 PLC ± -	ANGLES ± -
MATERIAL SEE TABLE	FINISH SEE TABLE

DWN JR RUTH 08/JAN/99	TE Connectivity
CHK MS FEHER 08/JAN/99	
APVD S HEADER 08/JAN/99	
NAME	
PRODUCT SPEC	HOUSING, RECEPT, FASTIN-FASTON, SINGLE CIRCUIT, 6.35 [.250] SERIES
APPLICATION SPEC	SIZE CAGE CODE DRAWING NO RESTRICTED TO
WEIGHT	A3 00779 C-480054
CUSTOMER DRAWING	SCALE 3:1 SHEET 1 of 1 REV U1