

4

3

2

1

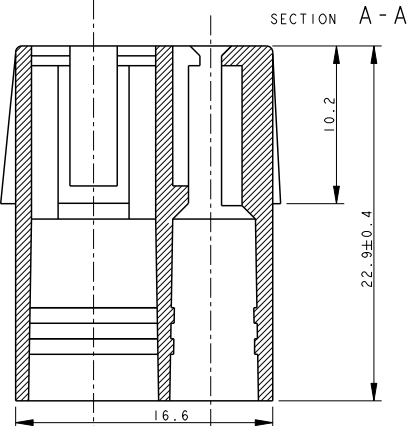
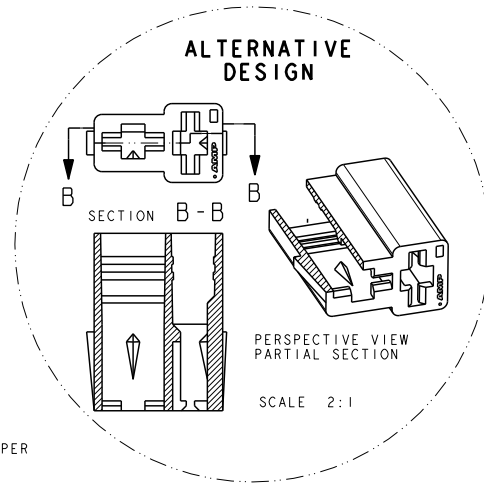
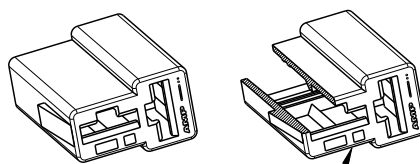
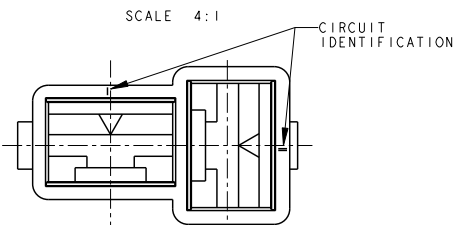
THIS DRAWING IS UNPUBLISHED.

RELEASED FOR PUBLICATION 2002

© COPYRIGHT 2002

ALL RIGHTS RESERVED.

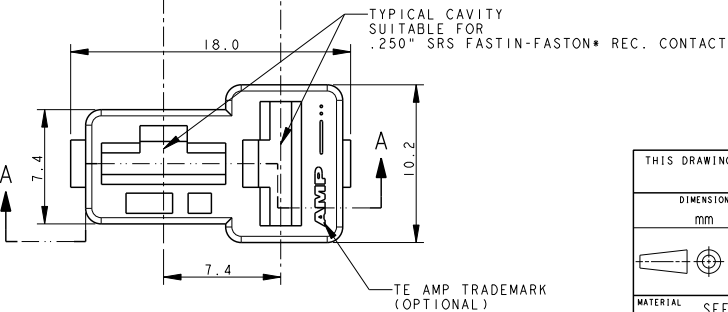
LOC	DIST	REVISIONS				
P	LTR	DESCRIPTION	DATE	DWN	APVD	
AA8		REVISED PER ECO-11-005301	28MAR2011	RK	HMR	



- 1 SAME AS 0-180907-0 BUT SPECIAL PACKAGING, ON CARTON BOX, TWO PLASTIC BAG WITH 3000 PIECES ON EACH.
- 2 NOT YET RELEASED FOR PRODUCTION
- 3 OBSOLETE PARTS: OBSOLETE CIS STREAMLINING PER D.REANUD/D.SINISI

3 OBSOLETE

HEAT STABILIZED MATERIAL	BLACK	POLYAMIDE 6.6, UL 94 V2	4-180907-0	AA
	NATURAL	POLYAMIDE 6.6	3-180907-0	AA
	NATURAL	POLYAMIDE 6.6	2-180907-0	AA
ACC. TO IEC 60335-1	NATURAL	POLYAMIDE 6.6, UL 94 V0	1-180907-6	AA
UL APPROVED	NATURAL	NYLON 6.6; ZYTEL 101L	1-180907-0	AA
	BLACK		0-180907-5	AA
	YELLOW		0-180907-4	O
	BLUE	POLYAMIDE 6.6	0-180907-3	AA
	RED		0-180907-1	AA
	NATURAL		0-180907-0	AA
NOTES	COLOUR	MATERIAL	P/N	REV



THIS DRAWING IS A CONTROLLED DOCUMENT.

DIMENSIONS: mm	TOLERANCES UNLESS OTHERWISE SPECIFIED: 0 PLC ±. 1 PLC ±0.3 2 PLC ±. 3 PLC ±. 4 PLC ±. ANGLES 32°	MATERIAL SEE TABLE	FINISH -	DWN H. YAALI 14JUN2002 CHK C. TARTARI APVD - PRODUCT SPEC 108-20020 APPLICATION SPEC 114-2025 WEIGHT - CUSTOMER DRAWING	TE Connectivity 2 WAY FASTIN-FASTON RECEPTACLE HOUSING .250 SERIES SIZE CAGE CODE DRAWING NO RESTRICTED TO A300779C-180907 SCALE 4:1 SHEET 1 OF 1 REV AA8
----------------	--	--------------------	----------	---	---