

4

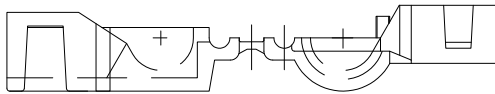
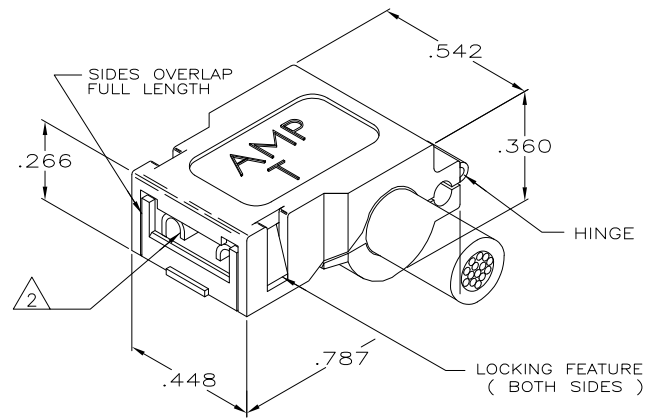
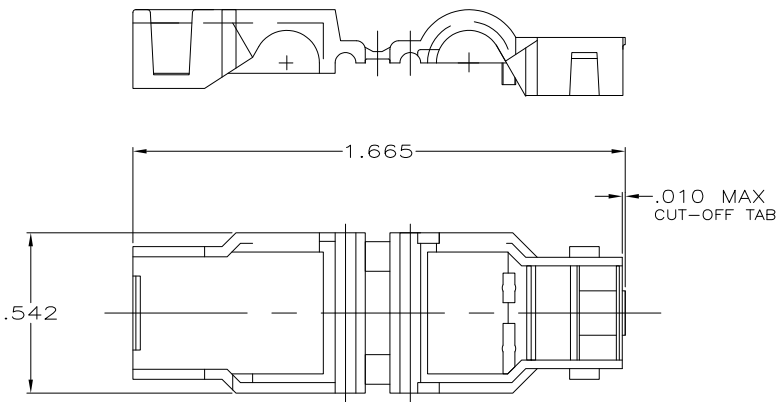
3

2

1

THIS DRAWING IS UNPUBLISHED. RELEASED FOR PUBLICATION
 © COPYRIGHT - BY TYCO ELECTRONICS CORPORATION. ALL INTERNATIONAL RIGHTS RESERVED.

LOC	DIST	REVISIONS				
P	LTR	DESCRIPTION	DATE	DWN	APVD	
AF	50	T4	REVISED PER ECR-09-000603	19JAN09	HMR PD	



- 1 SUPPLIED IN LOOSE PIECE.
 - 2 THIS PART ACCEPTS .250 SERIES FASTON FLAG RECEPTACLES PART NUMBERS 41531, 41532, 42511, 60641 AND 60645.
 - 3 SEE CP-23587 FOR RECOMMENDED TAB DETAILS.
 - 4 MAX INSULATION IS .210.
- 5 GLOW WIRE APPROVED, CONTACT TYCO ELECTRONICS FOR ENGN SPECIFICATIONS, ALL WALL THICKNESSES ARE BETWEEN 0.4mm AND 3.0mm.

-	5	1-480307-8
120° C	VO, 6/66 NYLON - NATURAL	1-480307-7
150° C	4/6 NYLON - NATURAL	1-480307-6
125° C	6/6 NYLON - NATURAL	1-480307-1
UL TEMP RATING	MATERIAL/COLOR	PART NO.

THIS DRAWING IS A CONTROLLED DOCUMENT.

DIMENSIONS: INCHES	TOLERANCES UNLESS OTHERWISE SPECIFIED: 0 PLC ± - 1 PLC ± - 2 PLC ± - 3 PLC ± .015 4 PLC ± - ANGLES ± -	DWN JR RUTH 1/24/97	Tyco Electronics Corporation Harrisburg, PA 17105-3608	
MATERIAL SEE TABLE	FINISH SEE TABLE	CHK MS FEHER 1/24/97	INSULATION POD, AMPIP-POST	
		APVD R BEAVER 1/24/97	NAME	RESTRICTED TO
		PRODUCT SPEC	SIZE A3	CAGE CODE 00779
		APPLICATION SPEC	DRAWING NO C-480307	
		WEIGHT	CUSTOMER DRAWING	
		SCALE 4:1		SHEET 1 of 1
		REV T4		