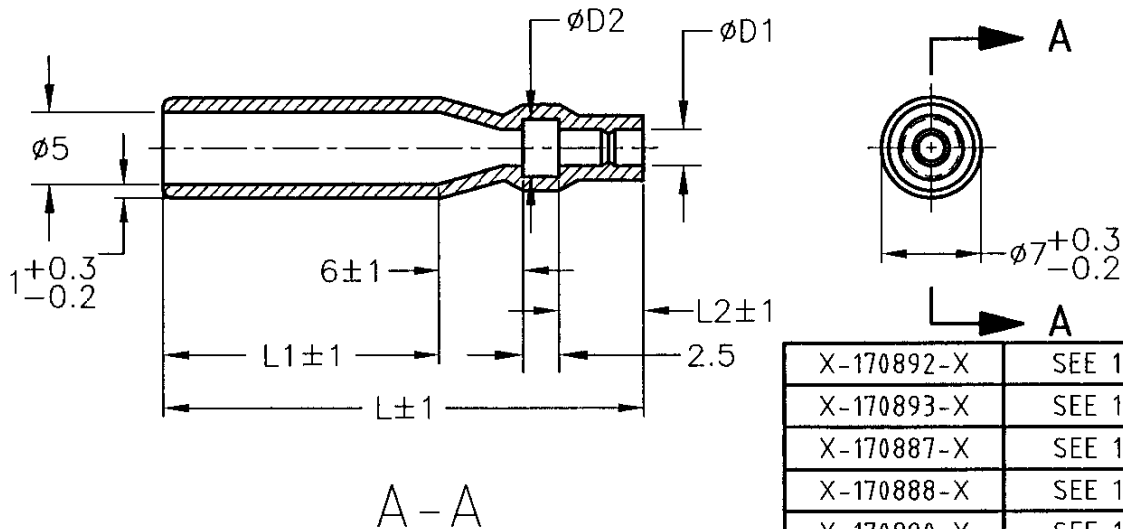


LOC	DIST	REVISIONS 変更						
—	—	P	LTR	DESCRIPTION	ECN	DATE	DWN	APVD
		B1		REDRAWN W/CHANGE	FJ00-1162-00	31 AUG 00	AY	KB



X-170892-X	SEE 170892
X-170893-X	SEE 170893
X-170887-X	SEE 170887
X-170888-X	SEE 170888
X-170890-X	SEE 170890
X-170891-X	SEE 170891
X-170823-X	SEE 170823
AMP PN	REMARK

1. 材質：SS-108（一般）
2. 一般公差：±0.5
3. 適用製品規格は無し

△ 品川商工発行のカタログと本図で寸法が異なる場合は本図を優先する。

1. MATERIAL:SS-108(GENERAL)
2. GENERAL TOLERANCE: ±0.5
3. APPLICABLE PRODUCT SPEC NOT AVAILABLE

△ IN THE EVENT OF CONFLICT BETWEEN THE REQUIREMENTS OF THIS CUSTOMER DRAWING AND THE SHINAGAWA SHOKO CO LTD CATALOG THIS CUSTOMER DRAWING SHALL TAKE PRECEDENCE

CLEAR	26	2	15.5	4	2	215020	170889-4
					3.5	215035	170889-3
		34	6	19.5	4.5	3.2	215032
				4	2.5	215025	170889-1
COLOR	L	L2	L1	φ d2	φ d1	△ SHINAGAWA SHOKO PN	AMP PN

THIS DRAWING IS UNPUBLISHED. ALL RIGHTS RESERVED. BY TYCO ELECTRONICS CORPORATION.

00/08/31 12:06

DIMENSIONS: 単位：特 MM		DWN A.YAMAGUCHI 31 AUG 00	WIRE RANGE 総合電線断面積		INSULATION DIA 被覆外径	
TOLERANCES UNLESS OTHERWISE SPECIFIED: 一般公差		CHK D.MATSUURA 31 AUG 00	MATERIAL 材料		FINISH 仕上	
6 PLG ± — 1 PLG ± — 2 PLG ± — 3 PLG ± — 4 PLG ± — ANGLES ± —		APVD K.BETSUI 31 AUG 00	Tyco Electronics AMP K.K. Kawasaki, Japan			
PRODUCT SPEC 製品規格		NAME 名称				
APPLICATION SPEC 取付適用規格		CONNECT SLEEVE FOR 5DIA SERIES SHUR PLUG RECEPTACLE				
WEIGHT		SIZE A4	CAGE CODE 00779	DRAWING NO 番号 C-170889	RESTRICTED TO —	
CUSTOMER DRAWING			SCALE 尺度 2:1	SHEET 1	OF 1	REV B1