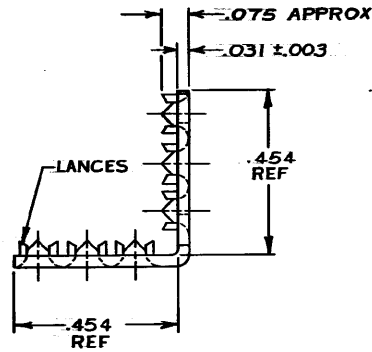
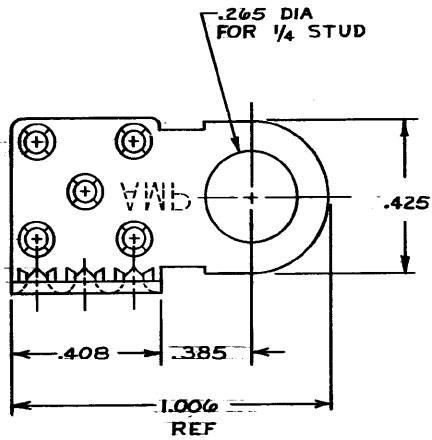


DRAWING MADE IN THIRD ANGLE PROJECTION

© COPYRIGHT 1980 BY AMP INCORPORATED, HARRISBURG, PA.  
ALL INTERNATIONAL RIGHTS RESERVED. AMP INCORPORATED PRODUCTS  
COVERED BY U. S. AND FOREIGN PATENTS AND/OR PATENTS PENDING.

REVISIONS						
P	F	ZONE	LTR	DESCRIPTION	DATE	APPROVED
✓	✓		O	REL P80-20013	2/11/80	[Signature]
✓	✓		A	REV U-1456	6/27/80	[Signature]
✓	✓		B	REV U-1509	9/19/80	[Signature]
✓	✓		C	REV PER G-5581	11/6/80	DKS/AJK



AS SHOWN 276959-2  
REMARKS PART NO

UNLESS OTHERWISE SPECIFIED DIMENSIONS ARE IN INCHES. TOLERANCES ON DECIMALS ± .008 ANGLES ± 5°	CONTRACT NO	AMP INCORPORATED Harrisburg, Pa.	
	DR <i>P. M. G. 3/10/80</i>	NAME	
	CHK <i>George P. Jones 4-17-80</i>	TERMI-FOIL TAP	
	APPD <i>John D. Williams 8/10/80</i>	SIZE <b>B</b>	CODE IDENT NO <b>00779</b>
MATERIAL <b>COPPER-ANNEALED (QQ-C-576)</b>	DSCH APPD <i>John D. Williams 11/11/80</i>	SCALE <b>4:1</b>	SHEET
FINISH <b>TIN PLATE (MIL-T-10727)</b>	OTHER APPD <i>RE DOWNS 4/18/80</i>		

CUSTOMER DRAWING