

4

3

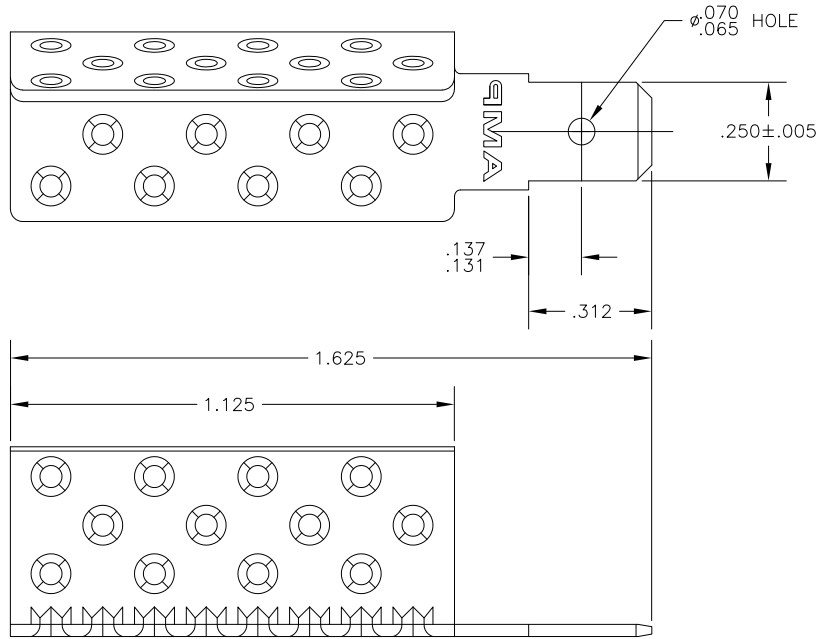
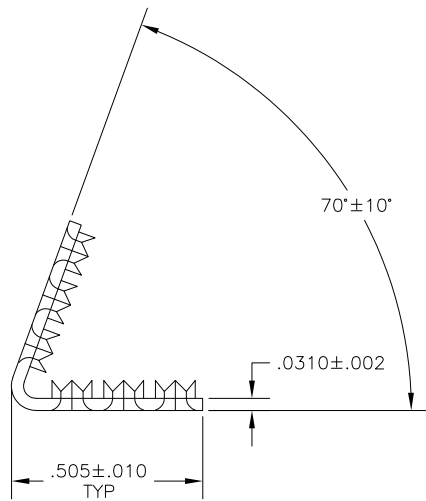
2

1

THIS DRAWING IS UNPUBLISHED. RELEASED FOR PUBLICATION  
 © COPYRIGHT - BY TYCO ELECTRONICS CORPORATION. ALL RIGHTS RESERVED.

LOC	DIST	REVISIONS			
P	LTR	DESCRIPTION	DATE	DWN	APVD
G	86	F2	REV PER ECR 10-004633	02MAR10	JR RL

- ① TIN PLATE PER ASTM B-545
- ② TIN PLATE PER ASTM B-545, ANNEALED



SUPERSEDED BY 51943  
 ② 51943-2  
 ① 51943  
 PART NO.

THIS DRAWING IS A CONTROLLED DOCUMENT.		DWN jr_ruth 20JUN05	Tyco Electronics Tyco Electronics Corporation Harrisburg, Pa 17105-3608	
DIMENSIONS: INCHES	TOLERANCES UNLESS OTHERWISE SPECIFIED:	CHK MJ SPICER 20JUN05	NAME	TERMI-FOIL 250 FASTON TAB
	0 PLC ± -	APVD MJ SPICER 20JUN05	SIZE	CAGE CODE
	1 PLC ± -	PRODUCT SPEC	A3	00779
	2 PLC ± -	APPLICATION SPEC	DRAWING NO	51943
	3 PLC ± .008	WEIGHT	RESTRICTED TO	
	4 PLC ± -			
	ANGLES ± 5°	CUSTOMER DRAWING	SCALE	1:1
MATERIAL COPPER ASTM B-152	FINISH SEE TABLE		SHEET	1 OF 1
			REV	F2