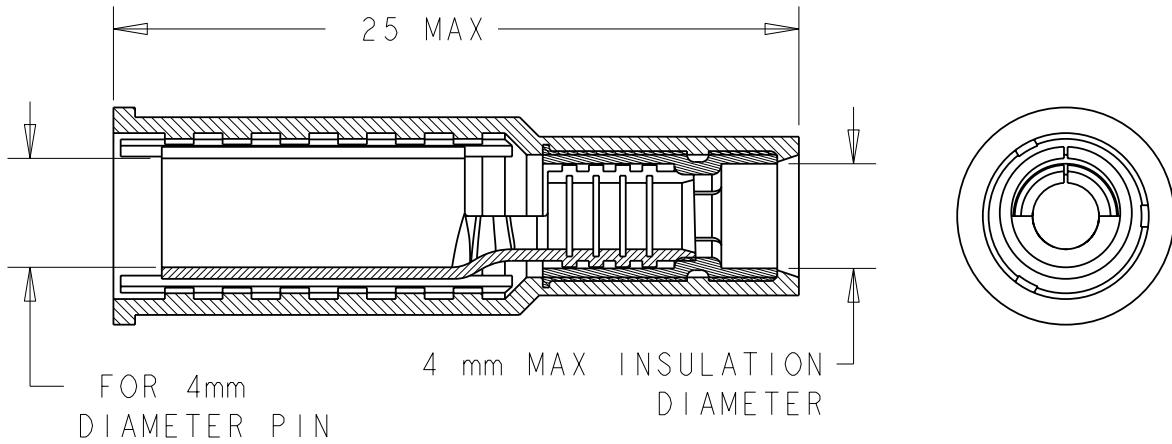


LOC	DIST	REVISIONS					
-	-	P	LTR	DESCRIPTION	DATE	DWN	APVD
			B	REDRAWN IN CAD	27/11/07	NH	RG



SECTION A - A

RELEASED FOR PUBLICATION

THIS DRAWING IS UNPUBLISHED.
© COPYRIGHT BY TYCO ELECTRONICS CORPORATION. ALL RIGHTS RESERVED.

141451-1
PART NUMBER

DIMENSIONS: INCH	DWN NIRANJAN HEGDE	27NOV2007	MATERIAL	-	FINISH	-
	CHK SHIVAPRAKASH K R	27NOV2007	Tyco Electronics, France, SAS 95300, Pontoise, France			
TOLERANCES UNLESS OTHERWISE SPECIFIED:	APVD ROBERT GERARD	27NOV2007	NAME DOUILLE ISOLEE POUR BROCHE DE 4 mm			
	PRODUCT SPEC	-	SIZE	A 4	CAGE CODE	-
	APPLICATION SPEC	-	DRAWING NO	C= 141451		
0 PLC ± 1 PLC ± 2 PLC ± 3 PLC ± 4 PLC ± ANGLES ±	WEIGHT	-	RESTRICTED TO	-		
	CUSTOMER DRAWING		SCALE	4:1	SHEET	1 OF 1
AMP 1469-35 REV 31MAR2000				REV	B	