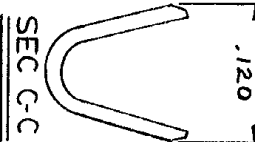
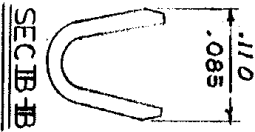
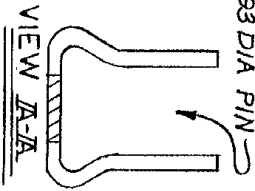
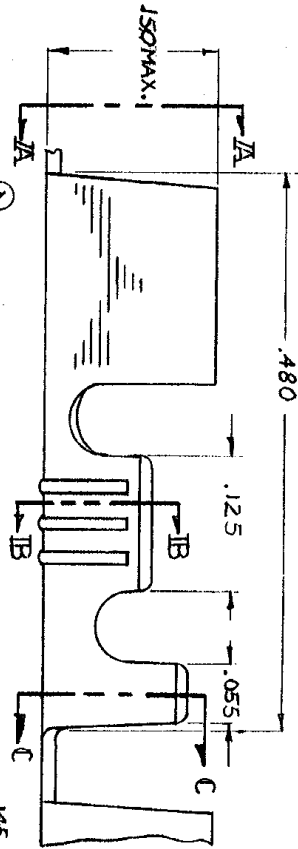
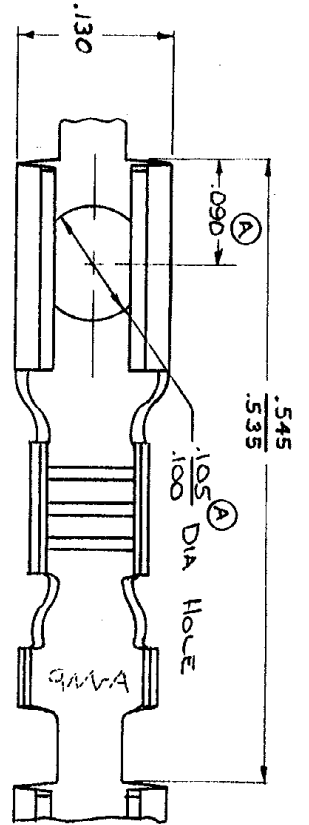


CP-50226

NUMBER  
**60884**

DIMENSIONS IN INCHES. DO NOT SCALE PRINT.



PART NUMBER MATERIAL FINISH

60884-1 012 BRASS - NONE  
~~60884-2 012 PH BRONZE - PRE FIN~~  
 60884-3 012 BRASS - TIN

OBsolete

F	REACTIVATED NUB	64	65/64	H	QES-1	AF-2899	7/8	JT	5/19/83
E	QES DER NUB	55	41/54	G	Added	-3	54		5/5/84
D	OBS 60884-2 204	55	41/54						
C	ADDED - 2	NM	42/54						
B	CHANGED DIST A-47	LE	41/54						
A	QES UN-508C	CS	41/54						
	ADDED QES UN-508C	CS	41/54						
2	ADDED MAT. 75	150	41/54						
1	130 WAS 135	135	41/54						

REVISION RECORD	DATE	CHK	DATE
1	7/15	KS	7/15
2	7/15	KS	7/15

INSULATION RANGE	TYPE	CLASS
22-18	100 MAX	CS
TOLERANCE EXCEPT AS NOTED	SCALE	LOC
± 1% 0	4-1	AP A
REV	NO	NO
1	60884	

PRINTED BY: KS  
 DRAWN BY: H.J. DELL  
 DATE: 6/14/83  
 AMP 1252 REV 7/60  
 H. J. DELL 6-1485  
 PIN RECEIPTACLE

**AMP**  
 AMP INCORPORATED  
 MARIETTA, GEORGIA

CUSTOMER COPY  
 REFERENCE ONLY