

4

3

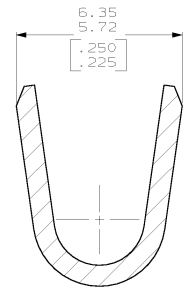
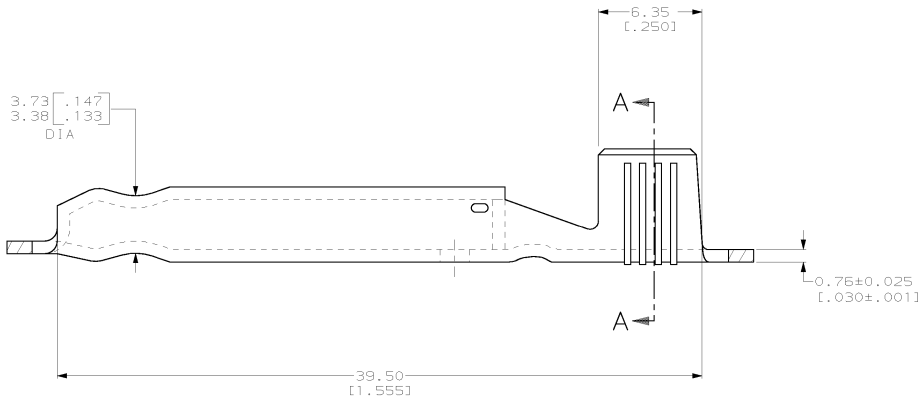
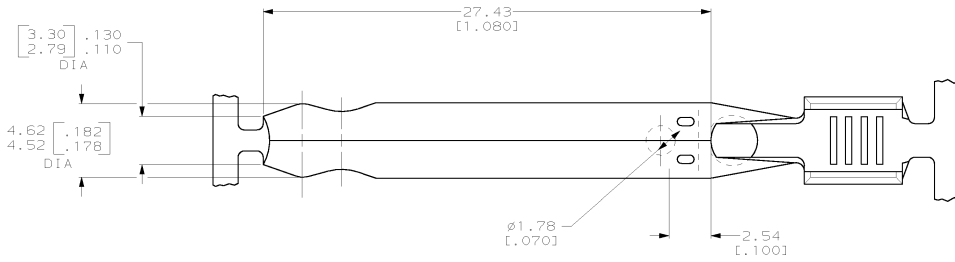
2

1

THIS DRAWING IS UNPUBLISHED. RELEASED FOR PUBLICATION BY AMP INCORPORATED. ALL RIGHTS RESERVED.

REV	DESCRIPTION	DATE	BY	APP'D
AF	50			
B	REV 6 REL PER 063A-0143-99	9/9/99	JR	DD

1 CONTINUOUS STRIP ON REEL.



SECTION A-A  
SCALE 10:1

12-8 AWG	1217142-1
WIRE RANGE	PART NUMBER
<b>AMP</b> AMP Incorporated Harrisburg, PA 17105-3608	
SHUR PLUG, 4.57 [.180] DIA	
STEEL CASE CODE	TRAWING NO
A200779	1217142
SCALE 6:1	SHEET 1 OF 1

THIS DRAWING IS A CONTROLLED DOCUMENT		DATE	BY
DRAWN BY		10/11/99	MICHAEL S. FELICE
CHECKED BY		10/11/99	JEFF R. RUTH
APPROVED BY		10/11/99	RONALD DECKER
PRODUCT SPEC			
APPLICATION SPEC			
MATERIAL			
FINISH			
MIN TIN PLATE			
CUSTOMER DRAWING			

1217142