

DRAWING MADE IN THIRD ANGLE PROJECTION

3

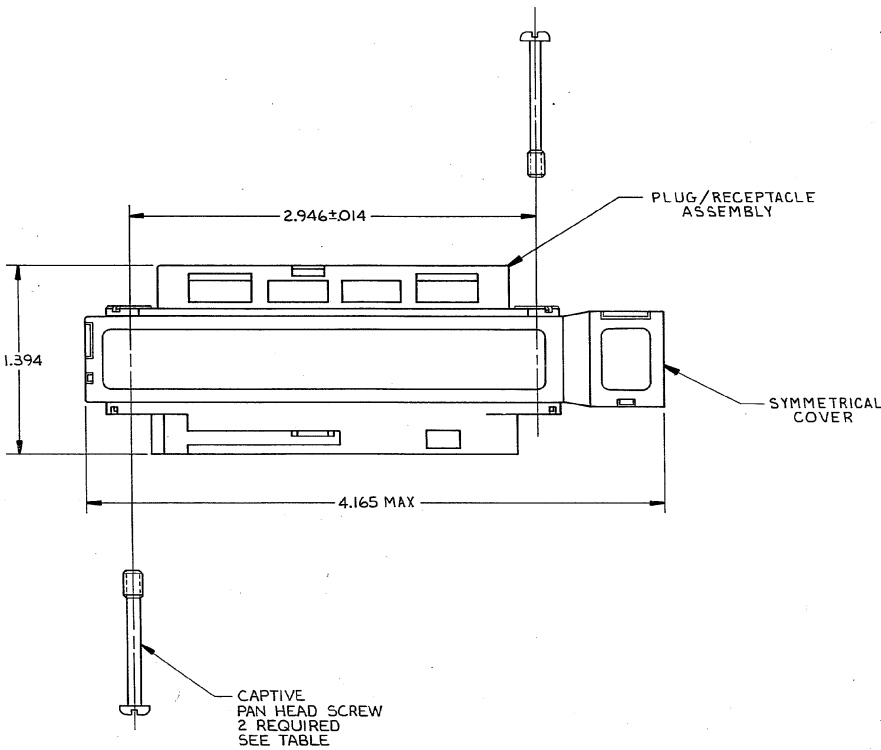
2

1

LOC DIST
AA-20

THIS DRAWING IS UNPUBLISHED. RELEASED FOR PUBLICATION 19
 © COPYRIGHT 19 BY AMP INCORPORATED, HARRISBURG, PA. ALL INTERNATIONAL RIGHTS RESERVED. AMP PRODUCTS MAY BE COVERED BY U.S. AND FOREIGN PATENTS AND/OR PATENTS PENDING.

REVISIONS					
P	F	ZONE/LTR	DESCRIPTION	DATE	APPROVED
✓		F	OBSELETE:-2JECN AA-1988	12-9-85	



- △ MATERIAL: HOUSING & COVERS- POLYPHENYLENE, BLK.
 TERMINALS- GOLD OVER NICKEL
 PLATED HIGH STRENGTH COPPER ALLOY.
 HARDWARE- ZINC PLATED STEEL.
2. KIT SHOWN ASSEMBLED HOWEVER COVERS AND HARDWARE SHIPPED UNASSEMBLED.
 3. WIRE SIZE: 24 AND 26 AWG SOLID AND 24/7 STRAND COPPER CONDUCTOR. MAXIMUM INSULATION DIAMETER .045 IS ACCEPTABLE FOR MOST APPLICATIONS.
 4. CABLE RANGE: .380-.400 DIA.
 5. PLUG AND RECEPTACLE ARE BONDED TOGETHER.
 6. THE CONTACT SURFACES OF THE TERMINALS ARE COATED WITH LUBRICANT.
 7. KIT SHIPPED IN POLY BAG FORM.

552771

SUPERSEDED BY 553257-1 4-40 UNC X 1.75 552771-1
 CAPTIVE PAN HEAD SCREW PART NO

UNLESS OTHERWISE SPECIFIED DIMENSIONS ARE IN INCHES. TOLERANCES ON: DECIMALS ± .005 ANGLES ± .5°		CONTRACT NO		AMP INCORPORATED Harrisburg, Pa. 17105	
MATERIAL		DR M.S. Eganly 9/27/85 CH E. Fox 9-30-85		NAME BACK/BACK KIT, 50 POSITION, B SLOT, CHAMP-LOK	
FINISH		APPD 10/31/85 10/31/85		SIZE FSCM NO DRAWING NO C 00779 552771	
OTHER APPD		SCALE 2:1		SHEET 1 OF 1	

CUSTOMER DRAWING