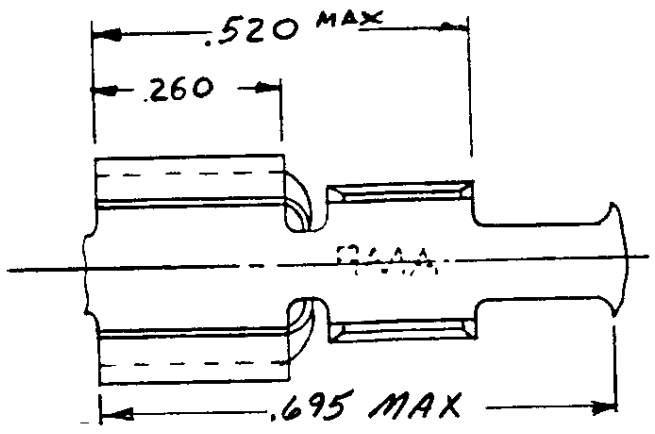


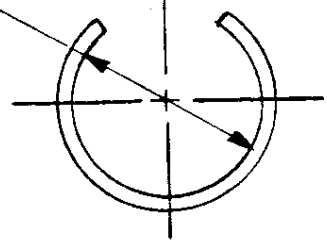
DRAWING MADE IN THIRD ANGLE PROJECTION

© COPYRIGHT 1977 BY AMP INCORPORATED, HARRISBURG, PA. ALL INTERNATIONAL RIGHTS RESERVED. REPRODUCED WITHOUT PERMISSION FROM AMP INCORPORATED. AND WITHOUT WRITTEN PERMISSION OF AMP INCORPORATED / OR PATENTS PENDING.

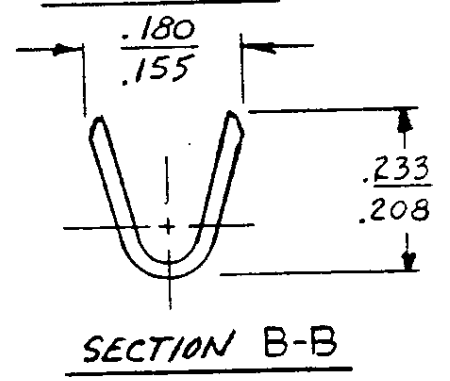
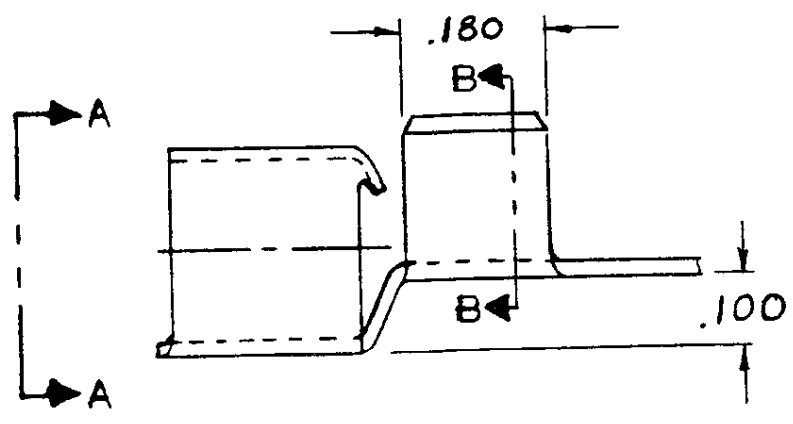
REVISIONS					
LTR	DESCRIPTION	DATE	APPROVED	P/F	
C	DWG. RELEASED	M-4068	1-14-77	EMW/DH	
A	RELEASED FOR PRODUCTION	M-4197	3-23-77	PA/DH	
B	.260 DIM. WAS .250	M-4687	2-22-78	CM/DH	
B ₁	RESTORATION		10-8-85	K5/RM	
B ₂	CHG DWG LOC CODE		4-28-87	CM/RS	
C	REV PER 0710-0427-95		24/SEP/95	PMF/	



FITS ON $\frac{.253}{.247}$ DIA. PIN




VIEW A-A



SECTION B-B

CONTINUOUS STRIP ON REELS

12-10	62587-1
WIRE SIZE	PART NO

UNLESS OTHERWISE SPECIFIED DIMENSIONS ARE IN INCHES. TOLERANCES ON: DECIMALS $\pm .015$ ANGLES $\pm 1.00^\circ$	CONTRACT NO	 AMP INCORPORATED Harrisburg, Pa.
	DR <i>E.T. Weist 1-14-77</i>	
MATERIAL .020 BRASS	CHK <i>D.S. Heias 1/18/77</i>	NAME PIN RECEPTACLE
	APPD	
FINISH TIN	APPD <i>D.S. Heias 1/18/77</i>	SIZE A
	DSGN APPD	CODE IDENT NO 00779
OTHER APPD	DRAWING NO 62587	SCALE <i>1/16"</i>
		SHEET

CUSTOMER DRAWING