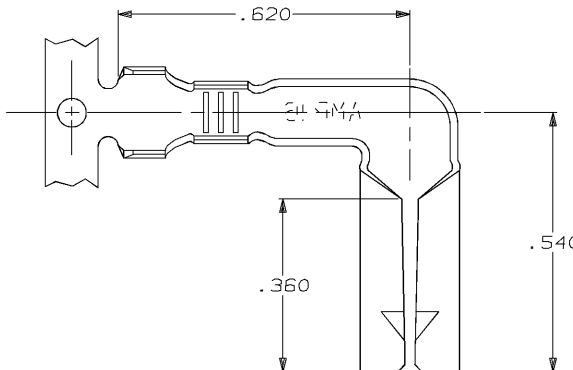


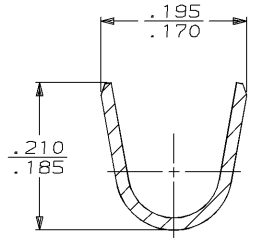
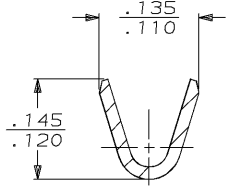
DRAWING MADE IN THIRD ANGLE PROJECTION

THIS DRAWING IS UNPUBLISHED. RELEASED FOR PUBLICATION, 19 .
 © COPYRIGHT 19 BY AMP INCORPORATED. ALL INTERNATIONAL RIGHTS RESERVED.

LOC	DIST	P	F	ZONE	LTR	REVISIONS	DATE	APPD
AF	50				F	OBSOLETE -4 PER OL10-0217-96	06/DEC/96	PF/GY



- 1 CONTINUOUS STRIP ON REELS
- 2 REVERSED REELED



SECTION A-A
SCALE 8:1

SECTION B-B
SCALE 8:1

OBSOLETE	.100-.140 DIA	20-16 AWG	△ 42749-4
	.100-.140 DIA	20-16 AWG	42749-1
	INSULATION RANGE	WIRE RANGE	PART NO

TYPE	WIDTH	STRIP LENGTH ±.015	TYPE	WIDTH	±.002 HEIGHT	WIRE
F	.155	.190	F	.090	.065	16
					.057	18
					.053	20
INSUL BARREL CRIMP			WIRE BARREL CRIMP			

DO NOT SCALE PRINT. UNLESS SPECIFIED DIMENSIONS IN INCHES	DR 5/2/90 P FORNEY
TOLERANCES ON:	CHK 5/2/90 JR RUTH
1 PLC DEC ± .015	APPD 5/2/90 G VETTER
ANGLES ± -	APPD 5/2/90 R KUZO
MATERIAL #4 HARD BRASS	PRODUCT SPEC -
FINISH -	APPLICATION SPEC -
WEIGHT -	WEIGHT -

AMP AMP Incorporated
Harrisburg, PA 17105-3608

NAME
PIN RECEPTACLE, .180 DIA

SIZE B	CAGE CODE 00779	DRAWING NO 42749
SCALE 5:1	SHEET 1 OF 1	

AMP 1470-15 REV 11-89
 06-DEC-96 09:30:19 amp17795 /ws/dept2122/dwg2122/u.pin-recpt

CUSTOMER DRAWING