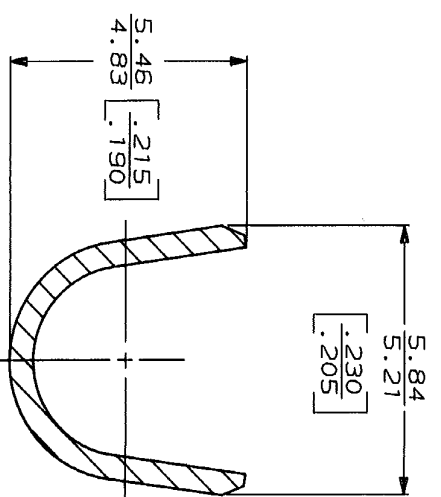
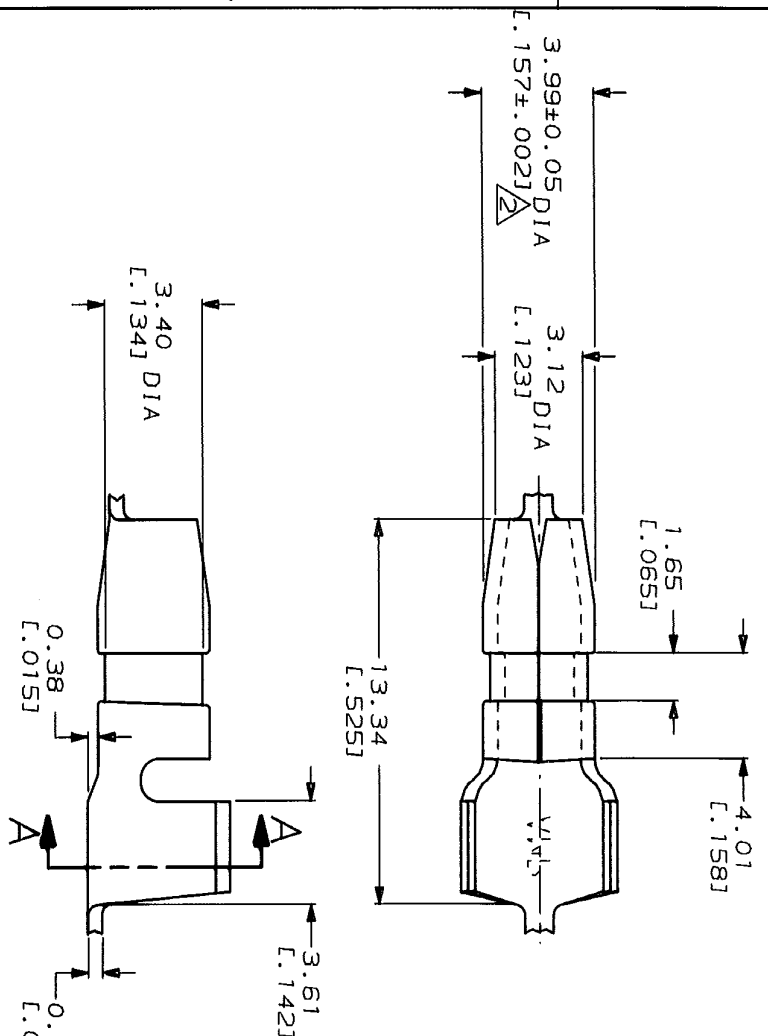


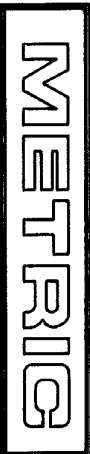
DRAWING MADE IN THIRD ANGLE PROJECTION  
 THIS DRAWING IS UNPUBLISHED. RELEASED FOR PUBLICATION  
 © COPYRIGHT 19 BY AMP INCORPORATED. ALL INTERNATIONAL RIGHTS RESERVED.

LOC	DIST	REVISONS		DATE	APPRO
AF	50	P	F	7/24/90	PJ/JR
ZONE		LTR	DESCRIPTION		
A		REDRAWN PER AF-6810			



SECTION A-A  
 SCALE 10:1

TO NOT SCALE POINT.		INSULATION RANGE		WIRE RANGE		PART NO	
DIMENSIONS SPECIFIED IN DIMENSIONS IN INCHES TOLERANCES ON PLAC DEC ANGLES		3.18-4.06 DIA [L.125-.160]		0.8mm <sup>2</sup> -2.0mm <sup>2</sup> [18-14] AWG		41698	
MATERIAL #2 HARD BRASS		DR P 7/23/90		NAME SHUR PLUG, 3.98 [L.156] DIA		AMP Incorporated	
FINISH 0.03302 [L.0001301] MAX PRE-TIN PER MIL-1-10727		CHK 7/23/90		APPD 7/23/90		Harrisburg, PA 17105-3608	
APPLICATION SPEC		R 8/20		SCALE B		DRAWING NO 41698	
WEIGHT		PRODUCT SPEC		GAGE CODE 00779		SHEET 1 OF 1	



CUSTOMER DRAWING

AMP 1470-15 REV 11-89  
 24 JUL 1990 06:26:29  
 AMP1775 4213487272344421344-SUR-416