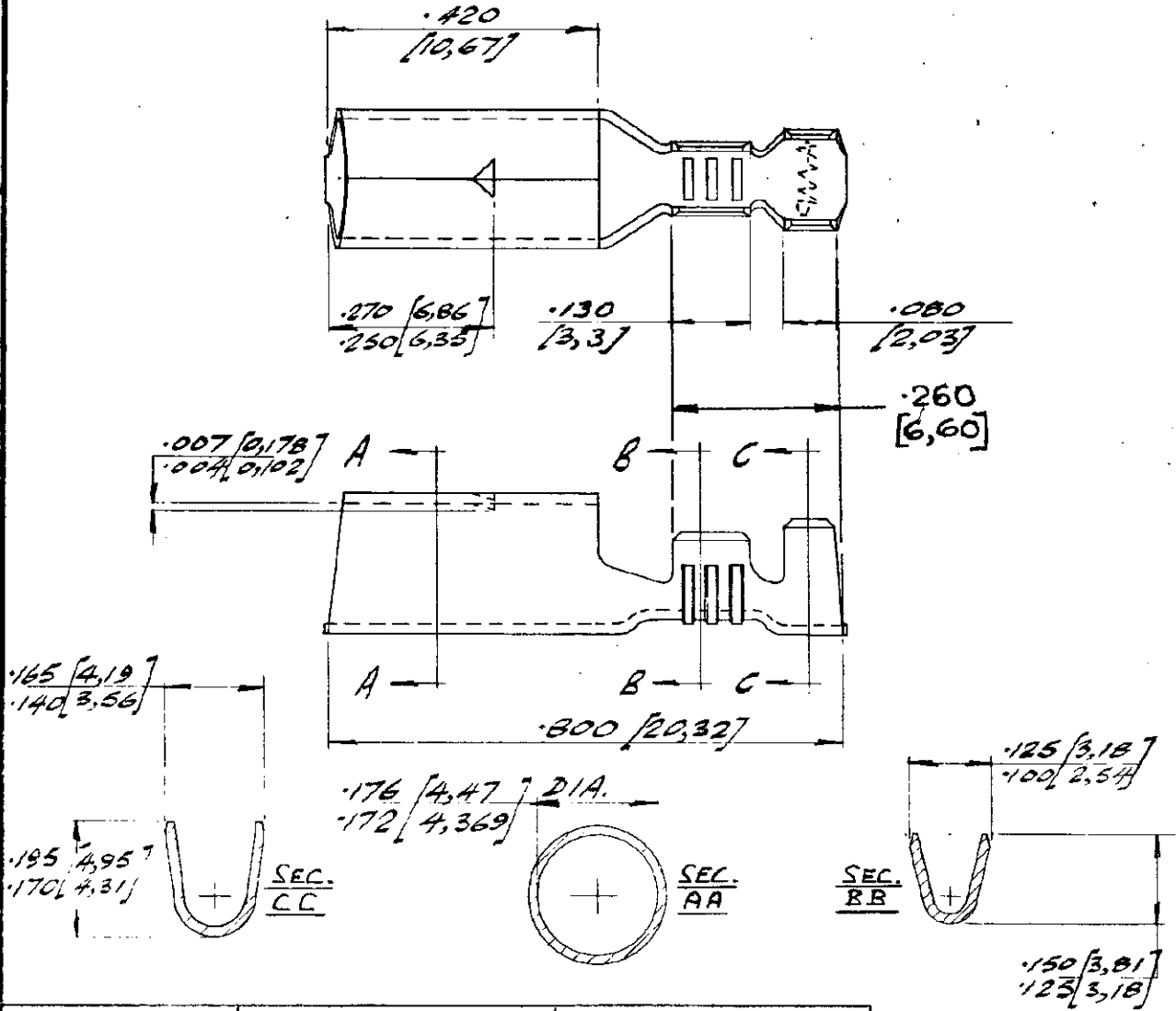


NUMBER  
C152404

3rd ANGLE (AMERICAN) PROJECTION

DIMENSIONS IN INCHES. DO NOT SCALE PRINT  
DIMENSIONS THUS [ ] IN MM.



152404-5	PHOS. BRONZE	ELECTRO TIN
152404-4	SPECIAL BRASS	NONE
152404-3	PHOS. BRONZE	NONE
152404-2	BRASS	ELECTRO TIN
152404-1	BRASS	NONE
PART NO	MATERIAL	FINISH

© AIRCRAFT/MARINE PRODUCTS  
GREAT BRITAIN, LTD 1970

CUSTOMER COPY  
REFERENCE ONLY

D	-5 ADDED	J.C.	1/1/82
C	.260 [6,60] DIM. ADDED	KS	2/1/82
B	-4 ADDED	T.C.	17-6-74
A	.130 AND .125	W	31-1-72
REV	REVISION RECORD	DR	CHK

MATERIAL AND FINISH: .016 [0,41] STOCK THICK.

WIRE - RANGE - INSULATION: 20-16 [0,22-3,05]

TO FRANCE EXCEPT AS NOTED

SCALE: 4:1

TYPE: E

NO: C-152404

AMP Industrial

A DIVISION OF AIRCRAFT-MARINE PRODUCTS (GREAT BRITAIN) LTD STANMORE, MDDX.

F. WELLS 1/6/70  
RSMIA 1/6/70  
J. A. BRACE 1/6/70

.180 [4,57] DIA.  
SHUR PLUG RECEPTACLE