

4

3

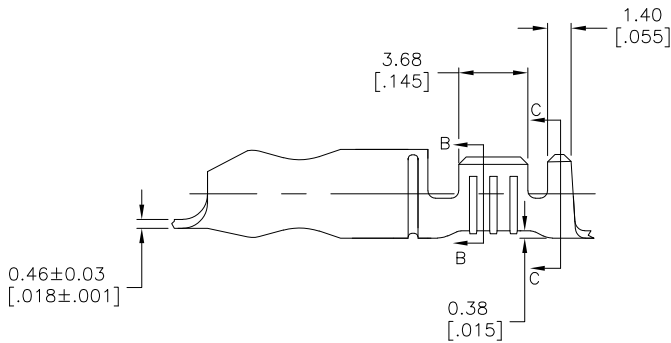
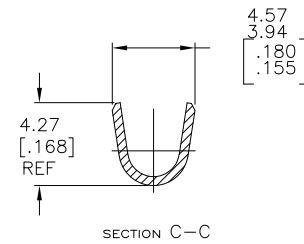
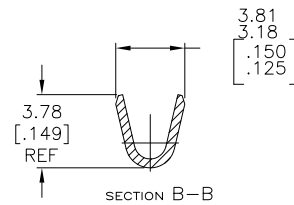
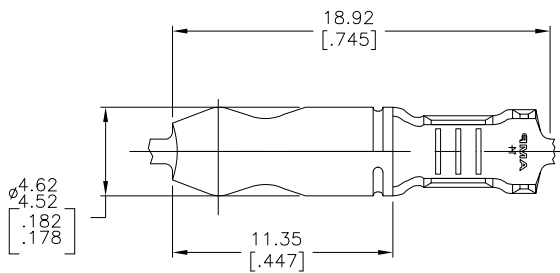
2

1

THIS DRAWING IS UNPUBLISHED. RELEASED FOR PUBLICATION
 © COPYRIGHT - BY TYCO ELECTRONICS CORPORATION. ALL RIGHTS RESERVED.

| LOC | DIST | REVISIONS | | | | |
|-----|------|-------------|---------------------------|---------|--------|--|
| P | LTR | DESCRIPTION | DATE | DWN | APVD | |
| AF | 50 | | | | | |
| | | C2 | REVISED PER ECR-10-016769 | 20AUG10 | HMR DD | |

- 1 CONTINUOUS STRIP ON REELS
- 2 WIRE RANGE: 0.8 - 2.0 mm² [18-14] AWG
- 3 INSULATION RANGE: 2.29-3.18 [.090-.125] DIA.



| | | |
|----------|---------|--------------------|
| OBSOLETE | NONE | 62739-2 |
| | PRE-TIN | 62739-1 |
| | FINISH | PART NO |

| | | | | |
|--|------------------|---------------------------|---|--|
| THIS DRAWING IS A CONTROLLED DOCUMENT. | | DWN RAGHAVENDRA 14NOV2007 | Tyco Electronics Corporation Harrisburg, PA 17105-3608 | |
| DIMENSIONS: mm [INCHES] | | CHK D DECKER 14NOV2007 | NAME SHUR PLUG, .180 DIA | |
| TOLERANCES UNLESS OTHERWISE SPECIFIED: | | APVD D DECKER 14NOV2007 | SIZE A3 CAGE CODE 00779 DRAWING NO C-62739 RESTRICTED TO | |
| 0 PLC ± - | | PRODUCT SPEC | | |
| 1 PLC ± - | | APPLICATION SPEC | | |
| 2 PLC ± 0.38 [.015] | | WEIGHT | | |
| 3 PLC ± - | | CUSTOMER DRAWING | SCALE 5:1 SHEET 1 OF 1 REV C2 | |
| 4 PLC ± - | | | | |
| ANGLES ± - | | | | |
| MATERIAL OB1 BRASS | FINISH SEE TABLE | | | |