

4

3

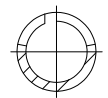
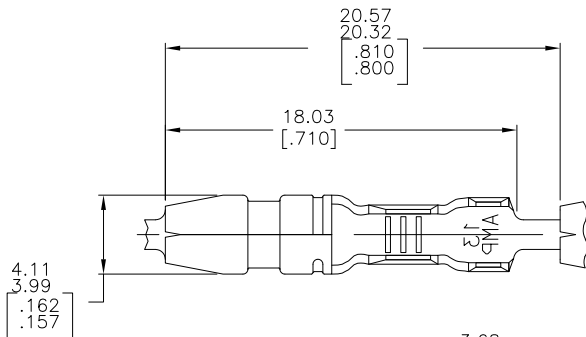
2

1

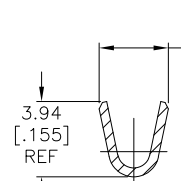
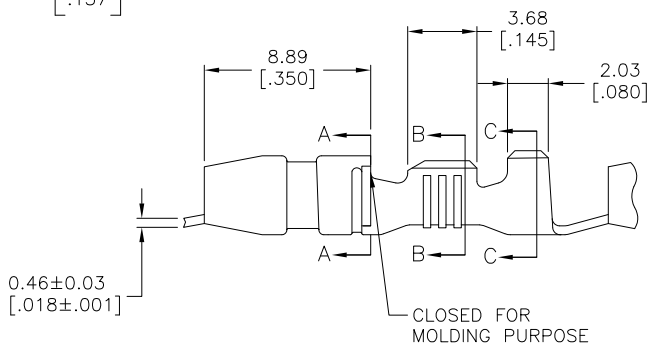
THIS DRAWING IS UNPUBLISHED. RELEASED FOR PUBLICATION
 © COPYRIGHT - BY TYCO ELECTRONICS CORPORATION. ALL RIGHTS RESERVED.

| LOC | DIST | REVISIONS | | | | |
|-----|------|------------------------------------|---------|-----|------|--|
| P | LTR | DESCRIPTION | DATE | DWN | APVD | |
| AF | 50 | | | | | |
| | D1 | ECR-07-026634 (REDRAWN IN AUTOCAD) | 06NOV07 | HMR | DD | |

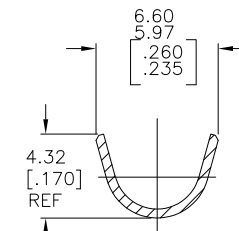
- CONTINUOUS STRIP ON REELS.
- WIRE RANGE: 18-14 AWG
- INSULATION RANGE: 2.16-5.33 [.085-.210] DIA.



SECTION A-A



SECTION B-B



SECTION C-C

| | | | |
|----------|--------------------|----------------------|--------------------|
| | NONE | 082 BRASS | 61891-2 |
| OBSOLETE | PRE-TIN | 081 BRASS | 61891-1 |
| | FINISH | MATERIAL | PART NO |

| | | | | |
|---|---------------------|---------------------------------|---|--------------------|
| THIS DRAWING IS A CONTROLLED DOCUMENT. | | DWN RAGHAVENDRA 06NOV2007 | Tyco Electronics Corporation Harrisburg, PA 17105-3608 | |
| DIMENSIONS: mm [INCHES] | | CHK D DECKER 06NOV2007 | NAME SHUR PLUG 3.96[.156] DIA | |
| TOLERANCES UNLESS OTHERWISE SPECIFIED: 0 PLC ± - 1 PLC ± - 2 PLC ± 0.38 [015] 3 PLC ± - 4 PLC ± - ANGLES ± 1° | | APVD D DECKER 06NOV2007 | PRODUCT SPEC APPLICATION SPEC | |
| MATERIAL SEE TABLE | FINISH SEE TABLE | WEIGHT - | SIZE A3 | CAGE CODE 00779 |
| | | DRAWING NO 61891 | RESTRICTED TO - | |
| | | CUSTOMER DRAWING | SCALE 5:1 | SHEET 1 OF 1 |
| | | | REV D1 | |

AMP 1470-19 REV 31MAR2000