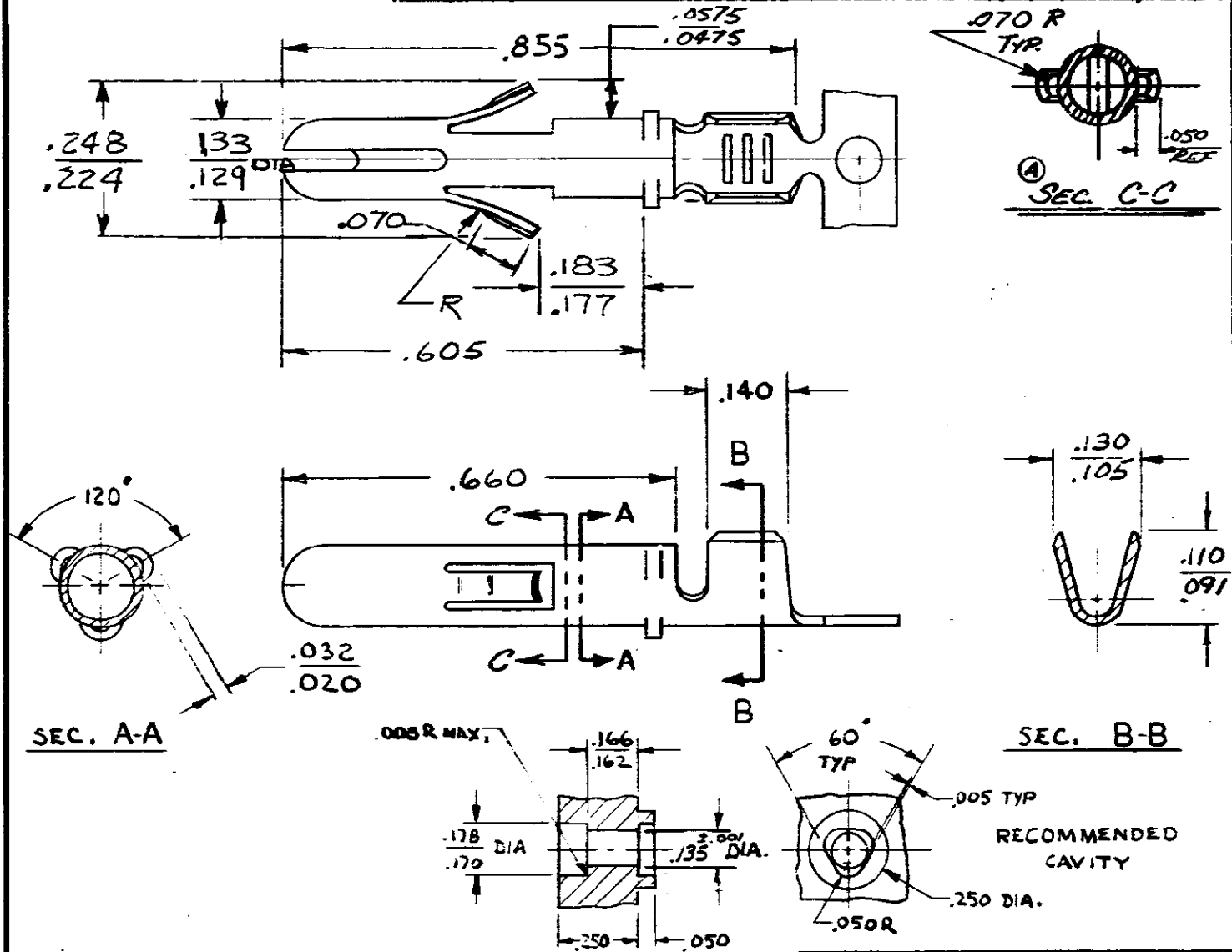


© COPYRIGHT 1976 BY AMP INCORPORATED, HARRISBURG, PA. ALL INTERNATIONAL RIGHTS RESERVED. NO REPRODUCTION OR TRANSMISSION OF THIS DRAWING IS PERMITTED WITHOUT WRITTEN PERMISSION OF AMP INCORPORATED. TRADEMARKS AND PATENTS PENDING.

REVISIONS			
LTR	DESCRIPTION	DATE	APPROVED
A	ADDED RADIUS TO LOCKING LATCHES PER SEC. C-C	1-21-77	GDJ/
B	REVISED RELEASED A-3590	5/4/77	GT/
C	REVISED A-3901	3/2/78	GT/
D	REVISED A-3954	5-18-78	SS/
E	REVISED AF-1993	9/2/87	SY



22-18	62505-1
WIRE SIZE	PART NO

UNLESS OTHERWISE SPECIFIED DIMENSIONS ARE IN INCHES. TOLERANCES ON: DECIMALS ± .015 ANGLES ± 1° 0'

MATERIAL
 .016
 BRASS

FINISH
 NONE

CONTRACT NO
 DR *R. J. West* 6-18-76
 CHK *John Patrick* 6-18-76
 APPD *R. J. West* 6-22-76
 APPD
 DSGN APPD
 OTHER APPD

AMP AMP INCORPORATED Harrisburg, Pa.	
NAME PIN .130 DIAMETER	
SIZE A	CODE IDENT NO 00779
DRAWING NO 62505	
SCALE <i>1:1</i>	SHEET <i>1</i>