

4

3

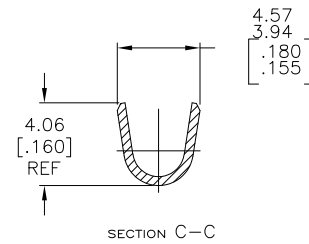
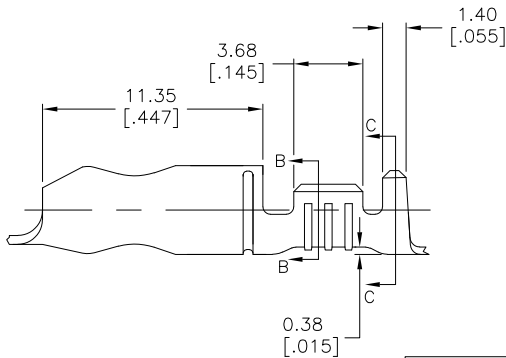
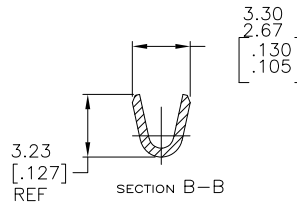
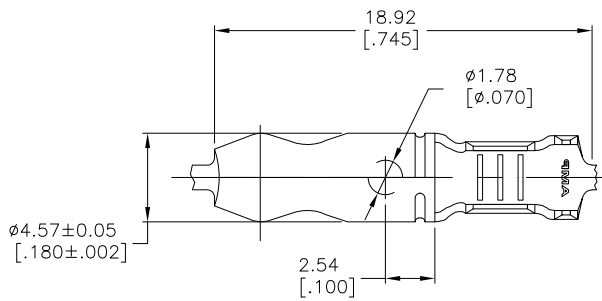
2

1

THIS DRAWING IS UNPUBLISHED. RELEASED FOR PUBLICATION  
 © COPYRIGHT - BY TYCO ELECTRONICS CORPORATION. ALL RIGHTS RESERVED.

LOC	DIST	REVISIONS				
P	LTR	DESCRIPTION	DATE	DWN	APVD	
AF	50	D1	ECR-07-026634 (REDRAWN IN AUTOCAD)	20NOV07	HMR	DD

- 1 CONTINUOUS STRIP ON REELS.
- 2 WIRE RANGE: 20-16 AWG
- 3 INSULATION RANGE: 2.29-3.18 [.090-.125] DIA.



OBSELETE	TJK	<del>505038-2</del>
	NONE	505038-1
	FINISH	PART NO

THIS DRAWING IS A CONTROLLED DOCUMENT.		DWN	20NOV2007	Tyco Electronics		Tyco Electronics Corporation	
DIMENSIONS: mm [INCHES]		CHK	20NOV2007	D DECKER		Harrisburg, PA 17105-3608	
TOLERANCES UNLESS OTHERWISE SPECIFIED:		APVD	20NOV2007	D DECKER		NAME	
0 PLC	± -	PRODUCT SPEC		.180 DIA. SHUR PLUG			
1 PLC	± -	APPLICATION SPEC		RESTRICTED TO			
2 PLC	± 0.38 [.015]	SIZE	A3	CAGE CODE	00779	DRAWING NO	C-505038
3 PLC	± -	WEIGHT		CUSTOMER DRAWING		SCALE	5:1
4 PLC	± -	MATERIAL		BRASS		SHEET	1 OF 1
ANGLES	± 1°	FINISH		SEE TABLE		REV	D1