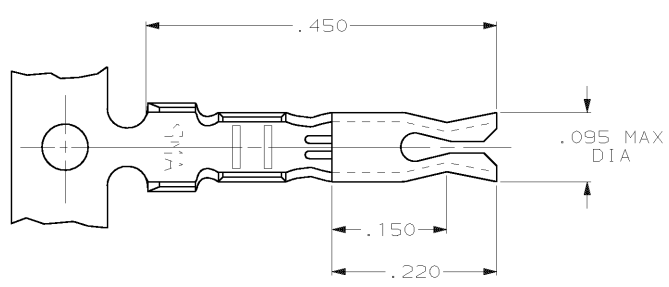


DRAWING MADE IN THIRD ANGLE PROJECTION

THIS DRAWING IS UNPUBLISHED. RELEASED FOR PUBLICATION, 19 .

© COPYRIGHT 19 BY AMP INCORPORATED. ALL INTERNATIONAL RIGHTS RESERVED.

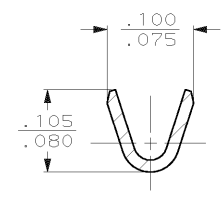
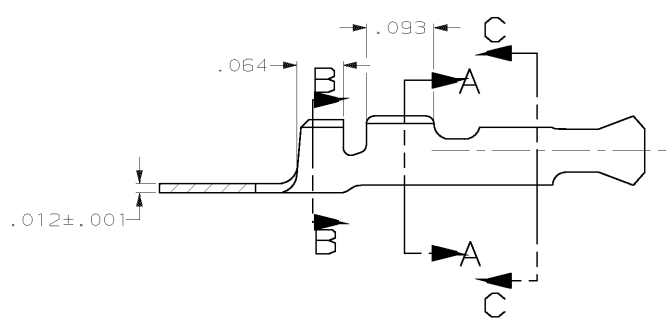
LOC	DIST	P	F	ZONE	LTR	REVISIONS	DATE	APPD
AF	50					AE OBS -2 PER 063A-0533-00	01MAR01	JR/DD



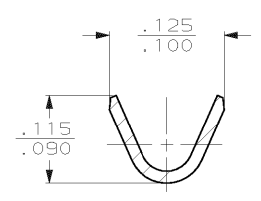
- 1 CONTINUOUS STRIP ON REELS
- 2 60373-4 IS REVERSE REELED.



SECTION C-C



SECTION A-A  
SCALE 10:1



SECTION B-B  
SCALE 10:1

OBsolete	.048-.071 DIA	24-20 AWG	60373-4
	.048-.071 DIA	24-20 AWG	60373-2
	INSULATION RANGE	WIRE RANGE	PART NO

TYPE	WIDTH	STRIP LENGTH ±.015	TYPE	WIDTH	±.002 HEIGHT	WIRE
F	.080	.150	F	.062	.046	20
					.043	22
					.040	24
INSUL BARREL CRIMP		WIRE BARREL CRIMP				

<b>AMP</b> AMP Incorporated Harrisburg, PA 17105-3608		
NAME PIN RECEPTACLE, .032 DIA		
SIZE B	CAGE CODE 00779	DRAWING NO 60373
SCALE 8:1	SHEET 1 OF 1	

AMP 1470-15 REV 11-89  
01-AUG-96 12:45:12 amp17795 A/c/dp12122/dsg122/u-pin-recpt

CUSTOMER DRAWING