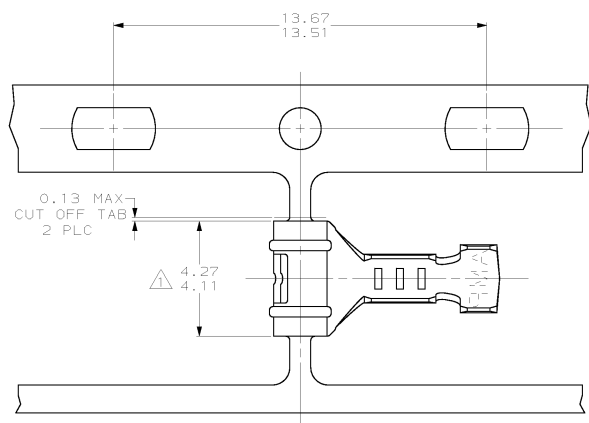


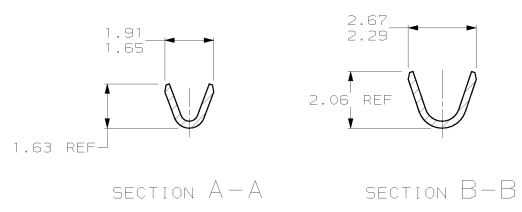
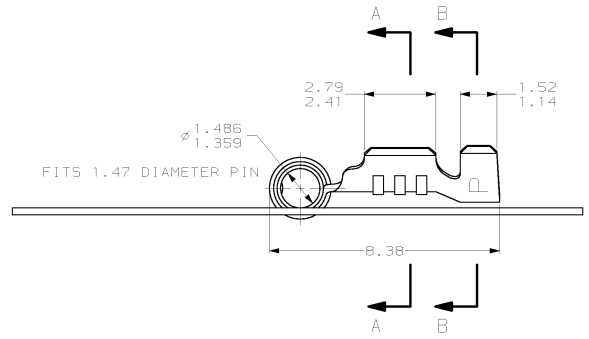
4 3 2 1

THIS DRAWING IS UNCLASSIFIED  
 (C) COPYRIGHT IS BY AMP INCORPORATED. ALL RIGHTS RESERVED.

REV. NO.		REV. DATE		DESCRIPTION		DATE	BY	APP'D
CM	52	F	LTR					
		E	REV 8	REDWN PER EC	0L30-0125-97	6-3-97	TB	RS



- △ 0.00038 MIN SELECTIVE GOLD PLATING ON INSIDE OF RECEPTACLE OVER NICKEL OVER ALL UNDERPLATE.
- 2. WIRE RANGE: 0.12 - 0.4 MM<sup>2</sup> (26 - 22 AWG)
- 3. INSULATION RANGE: 0.89 - 1.65



MM	IN	MM	IN	MM	IN	MM	IN
1.359	.0535	1.91	.075	4.11	.162	-	-
1.14	.045	1.65	.065	2.79	.110	-	-
0.89	.035	1.63	.064	2.67	.105	13.67	.538
0.25	.010	1.52	.060	2.41	.095	13.51	.532
0.13	.005	1.486	.0585	2.29	.090	8.38	.330
0.00038	.000015	1.47	.058	2.06	.081	4.27	.168

**METRIC**

THIS DRAWING IS A CONTROLLED DOCUMENT		DWG. T. BECK 6-03-97 CHK. S. SWING 6-03-97 APPR. A. BENDISZKY 6-17-97 PRODUCT SPEC. 108-1025 APPLICATION SPEC. 114-1008 REVISION - CUSTOMER DRAWING	<b>AMP</b> AMP Incorporated Harrisburg, PA 17105-3608 RECEPTACLE, .058 DIAMETER, 26-22 AWG, .035-.065 INSULATION, RIGHT ANGLE, P.C. CONTACT PART NUMBER 61513
DIMENSIONS IN MM UNLESS OTHERWISE SPECIFIED FINISH SEE TABLE	DIMENSIONS IN INCHES UNLESS OTHERWISE SPECIFIED FINISH SEE TABLE	SCALE 10:1 SHEET 1 OF 1 REV F	RESTRICTED TO

AMP 1471-9 REV 27/04/96  
 03-JUN-97 13:41:13 amp22238 /home/amp22238/junk/redraw.1330