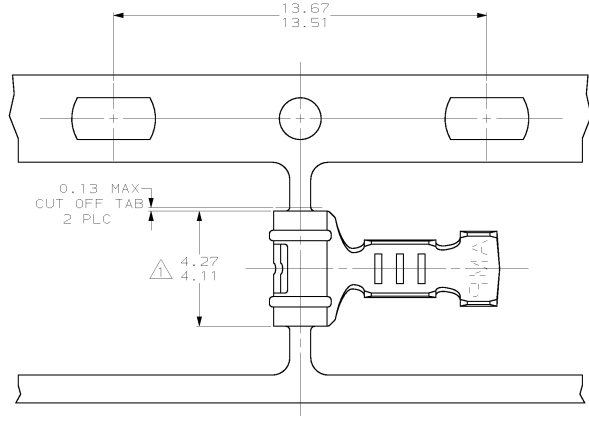


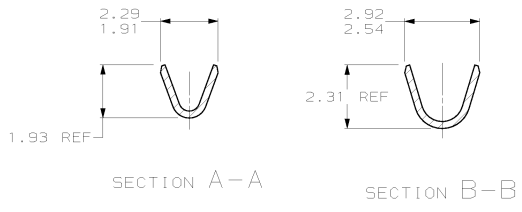
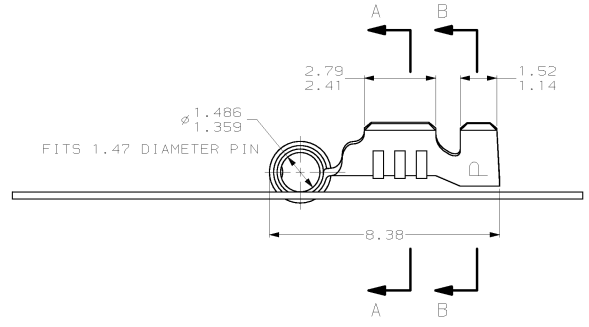
4 3 2 1

THIS DRAWING IS UNCLASSIFIED  
 (C) COPYRIGHT IS BY AMP INCORPORATED. ALL RIGHTS RESERVED.

REV. NO.		REV. DATE		DESCRIPTION		DATE	BY	APP'D
CM	52	F	LR					
		G		REV 8 REDWN PER EC 0L30-0125-97		5-22-97	TB	RS



- △ 0.00038 MIN SELECTIVE GOLD PLATING ON INSIDE OF RECEPTACLE OVER NICKEL OVER ALL UNDERPLATE.
- 2. WIRE RANGE: 0.2 - 0.6 MM<sup>2</sup> (24 - 20 AWG)
- 3. INSULATION RANGE: 1.14 - 1.78



MATTE TIN	0.25 BE COPPER	61119-3
PRE-TIN	0.25 PH BRZ	61119-2
△ FINISH	0.25 BE COPPER	61119-1
	MATERIAL	PART NUMBER

MM	IN	MM	IN	MM	IN	MM	IN
1.47	.058	2.29	.090	4.11	.162	-	-
1.359	.0535	1.93	.076	2.92	.115	-	-
1.14	.045	1.91	.075	2.79	.110	13.67	.538
0.25	.010	1.78	.070	2.54	.100	13.51	.532
0.13	.005	1.52	.060	2.41	.095	8.38	.330
0.00038	.000015	1.486	.0585	2.31	.091	4.27	.168
MM	IN	MM	IN	MM	IN	MM	IN

**METRIC**

THIS DRAWING IS A CONTROLLED DOCUMENT

DESIGNER	DATE	REV	DESCRIPTION
MM	6-22-97	1	RECEPTACLE, .058 DIAMETER, 24-20 AWG, .045-.070 INSULATION, RIGHT ANGLE, P.C. CONTACT

AMP INCORPORATED  
 HARRISBURG, PA 17105-3608

RECEPTACLE, .058 DIAMETER, 24-20 AWG, .045-.070 INSULATION, RIGHT ANGLE, P.C. CONTACT

AMP 61119

SCALE 10:1 SHEET 1 OF 1

AMP 1471-9 REV 27/04/06  
 12-141-97 12-48-99 amp2238 /home/amp2238/junk/redaw/1330