

4

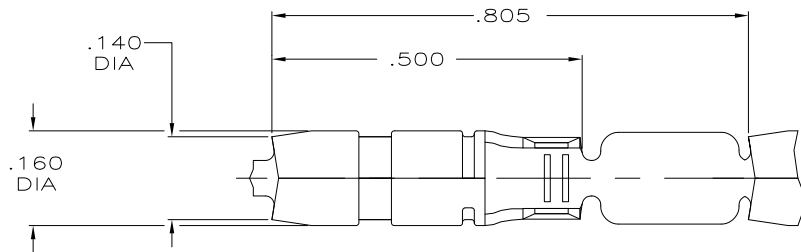
3

2

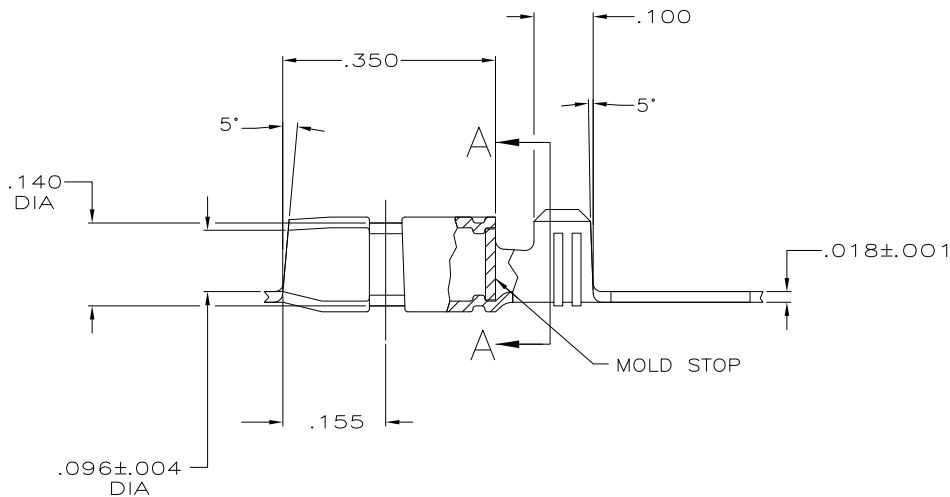
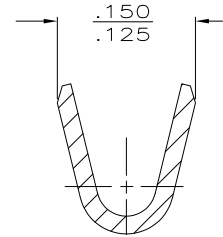
1

THIS DRAWING IS UNPUBLISHED. RELEASED FOR PUBLICATION  
 © COPYRIGHT - BY TYCO ELECTRONICS CORPORATION. ALL INTERNATIONAL RIGHTS RESERVED.

LOC	DIST	REVISIONS				
P	LTR	DESCRIPTION	DATE	DWN	APVD	
AF	50	F	REVISED PER ECR-09-007435	01APR09	HMR DD	



- 1 CONTINUOUS STRIP ON REEL.
- 2 WIRE SIZE IS 18-14 AWG.
- 3 PRELIMINARY - NOT FOR PRODUCTION



TIN PLATE	3 1217606-2
PRE-TIN PLATE	1217606-1
FINISH	PART NO.

THIS DRAWING IS A CONTROLLED DOCUMENT.		DWN	JR RUTH	07MAR01	Tyco Electronics Corporation Harrisburg, PA 17105-3608
DIMENSIONS: INCHES		CHK	MS FEHER	07MAR01	
TOLERANCES UNLESS OTHERWISE SPECIFIED: 0 PLC ± - 1 PLC ± - 2 PLC ± - 3 PLC ± .010 4 PLC ± - ANGLES ± -		APVD	D DECKER	07MAR01	
MATERIAL: 081 BRASS		NAME	SHUR PLUG, .156 DIA		
FINISH: SEE TABLE		PRODUCT SPEC	-		RESTRICTED TO
		APPLICATION SPEC	-		SIZE: A3
		WEIGHT	-		CAGE CODE: 00779
		CUSTOMER DRAWING	SCALE: 6:1		DRAWING NO: 1217606
			SHEET: 1 OF 1		REV: F