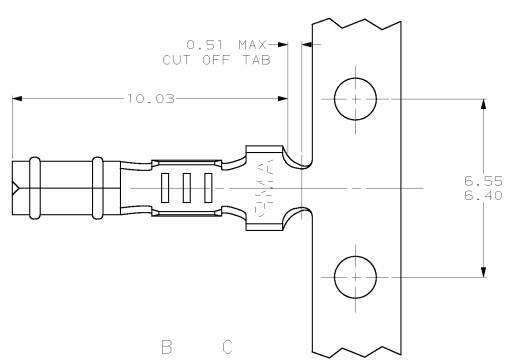


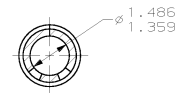
4 3 2 1

THIS DRAWING IS UNCLASSIFIED
(C) COPYRIGHT IS BY AMP INCORPORATED. ALL RIGHTS RESERVED.

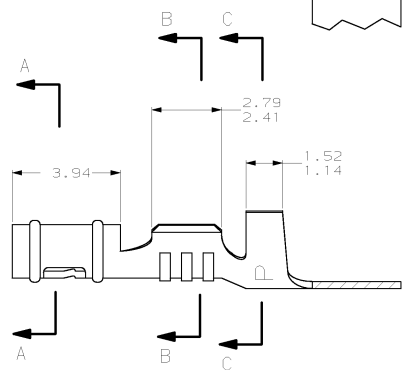
REV. NO.		REVISIONS		DATE	BY	APP'D
CM	52	U	OBS -4 PER EC 0L30-0251-97	8-31-88	JH	RS



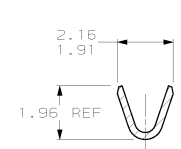
- 2. WIRE RANGE: 0.2 - 0.6 MM² (24 - 20 AWG)
- 3. INSULATION RANGE: 1.52 - 2.29
- △ 0.00203 MIN MATTE TIN PLATING OVER ALL.



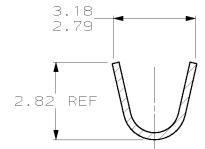
FITS 1.47 DIAMETER PIN



SECTION A-A



SECTION B-B



SECTION C-C

MM	IN	MM	IN	MM	IN	MM	IN
1.359	.0535	2.16	.085	3.94	.155	-	-
1.14	.045	1.96	.077	3.18	.125	-	-
0.51	.020	1.91	.075	2.82	.111	-	-
0.25	.010	1.52	.060	2.79	.110	10.03	.395
0.13	.005	1.486	.0585	2.41	.095	6.55	.258
0.00203	.000080	1.47	.058	2.29	.090	6.40	.252

CONVERSION TABLE

METRIC

△	0.25 BE CU	60939-2
PRE-TIN	0.25 PH BRZ	60939-1
FINISH	MATERIAL	PART NUMBER

THIS DRAWING IS A CONTROLLED DOCUMENT		AMP Incorporated Harrisburg, PA 17105-3608
OPERATORS DIMENSIONS UNITS FINISH TOLERANCES SURF. TEXTURE MATERIALS SPECIALS PARTIAL SEE TABLE	DESIGNED BY DRAWN BY CHECKED BY DATE PRODUCT SPEC 108-1025 APPLICATION SPEC 114-1008 REPART CUSTOMER DRAWING	AMP RECEPTACLE, .058 DIAMETER, 24-20 AWG, .060-.090 INSULATION, P.C. CONTACT FILE (CASE CODE) DRAWING NO. A200779 C 60939 RESTRICTED TO - SCALE 10:1 SHEET 1 OF 1 REV U

AMP 1471-9 REV 273A066
31-AUG-98 14:53:44 amp18726 /home/amp18726/ec13-251-98