

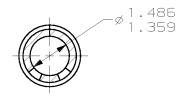
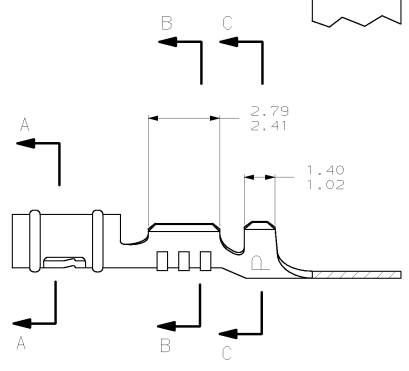
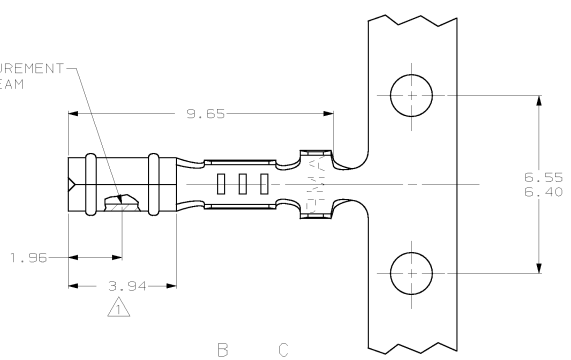
4 3 2 1

THIS DRAWING IS UNCLASSIFIED  
 (C) COPYRIGHT IS BY AMP INCORPORATED. ALL RIGHTS RESERVED.

REV	DATE	DESCRIPTION	DATE	BY	APP'D
CM	52				
V		REV 8 REDWN PER EC UL30-0146-97	5-15-97	TB	RS

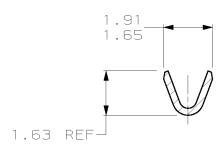
- △ 0.00075 MIN SELECTIVE GOLD PLATING ON INSIDE OF RECEPTACLE OVER NICKEL OVER ALL UNDERPLATE.
- 2. WIRE RANGE: 0.12 - 0.4 MM<sup>2</sup> (26 - 22 AWG)
- 3. INSULATION RANGE: 0.89 - 1.65

POINT OF MEASUREMENT  
 △ 90° FROM SEAM

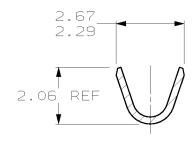


FITS 1.47 DIAMETER PIN

SECTION A-A



SECTION B-B



SECTION C-C

MM	IN	MM	IN	MM	IN	MM	IN
1.359	.0535	1.91	.075	2.79	.110	-	-
1.02	.040	1.65	.065	2.67	.105	-	-
0.89	.035	1.63	.064	2.41	.095	9.65	.380
0.25	.010	1.485	.0585	2.29	.090	6.55	.258
0.13	.005	1.47	.058	2.06	.081	6.40	.252
0.00075	.000030	1.40	.055	1.96	.077	3.94	.155
MM	IN	MM	IN	MM	IN	MM	IN

CONVERSION TABLE

**METRIC**

THIS DRAWING IS A CONTROLLED DOCUMENT		DWG. T. BECK 5-15-97 CHK. S. SWING 5-15-97 APPR. J. BENDISZKY 8-28-97 APPLICATION SPEC. - REVISIONS - REPRINT - CUSTOMER DRAWING	<b>AMP</b> AMP Incorporated Harrisburg, PA 17105-3608 RECEPTACLE, .058 DIAMETER, 26-22 AWG, .035-.065 INSULATION, P.C. CONTACT PART NO. A200779-60888
DIMENSIONS UNLESS OTHERWISE SPECIFIED IN MILLIMETERS DECIMALS FRACTIONS ANGLES HOLE DIA. TOLERANCES FINISH	DIMENSIONS UNLESS OTHERWISE SPECIFIED IN INCHES DECIMALS FRACTIONS ANGLES HOLE DIA. TOLERANCES FINISH	SCALE 10:1 SHEET 1 OF 1 REV. Y	RESTRICTED TO

AMP 1471-9 REV 27/04/96  
 15-MAY-97 13:13:53 amp22238 /home/amp22238/junk/redraw.1330