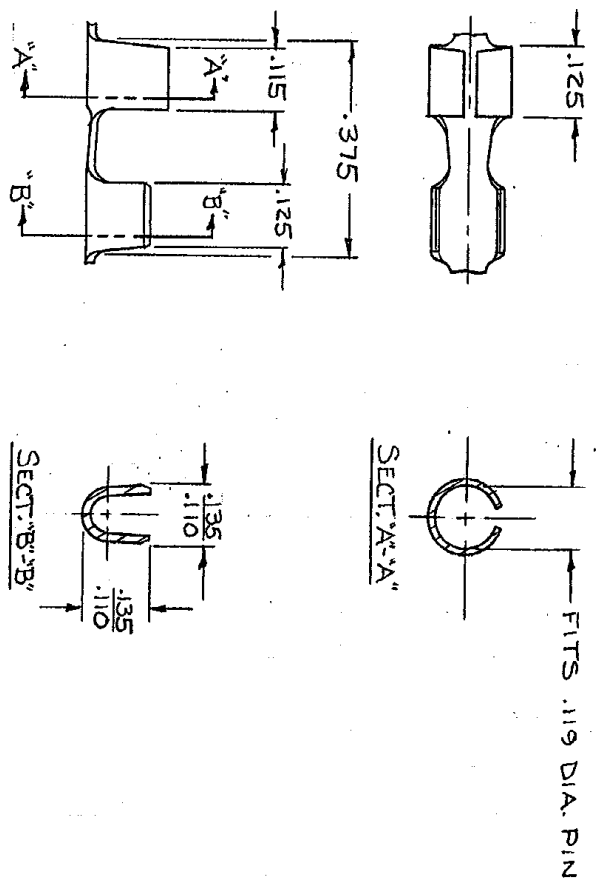


NUMBER
40652



CONTINUOUS STRIP ON REELS

PART NO.	MATERIAL	PLATING	STOCK THK.
40652	BRASS	NONE	.016
40652-1	BE. CU.	77% TIN	.016

DIMENSIONS IN INCHES. DO NOT SCALE PRINT.

PRINTED BY 50		DATE 5-8-72		BY J.D.C.		CHKD S.M.		APP'D S.O.S.		REV 5-8-72	
DR	B. BANERJEE	DESIGN	5-4-72	DATE	5-8-72	ECN	A-47	REV	1	REV	5
LTR	REVISION RECORD	ECN	DATE	REV	DATE	ECN	DATE	REV	DATE	ECN	DATE
C	REDRAWN	A-47	5-4-72	BR	5-4-72	BR	5-4-72	BR	5-4-72	BR	5-4-72
D	ADDED -1	103-28-72	3-7-72	BR	3-7-72	BR	3-7-72	BR	3-7-72	BR	3-7-72
E	REVISED	A-47	4-6-72	BR	4-6-72	BR	4-6-72	BR	4-6-72	BR	4-6-72
F	085-1 AF-3164	703-51	5-11-82	BR	5-11-82	BR	5-11-82	BR	5-11-82	BR	5-11-82
G	React-1 AF-7812	703-51	5-11-82	BR	5-11-82	BR	5-11-82	BR	5-11-82	BR	5-11-82

SEE TABLE

WIRE RANGE - INSULATION #20-18

TOLERANCE EXCEPT AS NOTED ± .015

SCALE #

LOC #

NO 40652

REV 5

AMP INCORPORATED HARRISBURG, PENNA.

CUSTOMER COPY REFERENCE ONLY

AMP INCORPORATED HARRISBURG, PENNA.

.119 DIA. PIN RECEPTACLE