

4

3

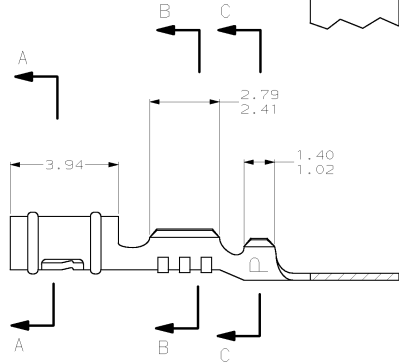
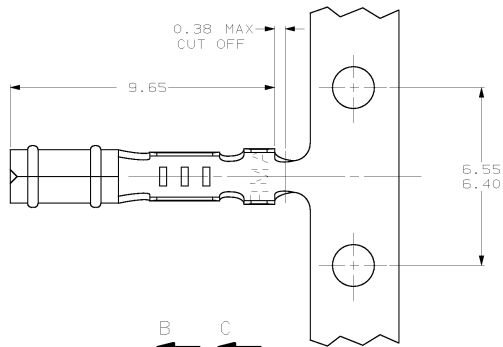
2

1

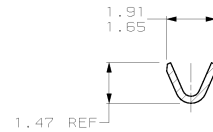
THIS DRAWING IS UNCLASSIFIED
 RELEASED FOR PUBLICATION
 (C) COPYRIGHT IS BY AMP INCORPORATED. ALL RIGHTS RESERVED.

REV	DATE	DESCRIPTION	DATE	BY	APP'D
CM	52				
AG		REV 8 REDWN PER EC 0L30-0164-97	4-29-97	TB	RS

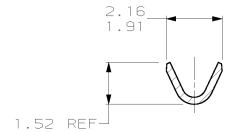
1. WIRE RANGE: 0.08 - 0.15 MM² (28 - 26 AWG)
 2. INSULATION RANGE: 0.89 - 1.14
- ⚠ REVERSED REELED.



SECTION A-A



SECTION B-B



SECTION C-C

PRE-TIN	0.25 PH BRZ	60354-7
PRE-TIN	0.25 PH BRZ	60354-2
FINISH	MATERIAL	PART NUMBER

MM	IN	MM	IN	MM	IN	MM	IN
1.14	.045	1.65	.065	6.40	.252	-	-
1.02	.040	1.52	.060	3.94	.155	-	-
0.89	.035	1.486	.0585	2.79	.110	-	-
0.38	.015	1.47	.058	2.41	.095	-	-
0.25	.010	1.40	.055	2.16	.085	9.65	.380
0.13	.005	1.359	.0535	1.91	.075	6.55	.258
MM	IN	MM	IN	MM	IN	MM	IN

CONVERSION TABLE

METRIC

THIS DRAWING IS A CONTROLLED DOCUMENT

DESIGNER	T. BECK	4-29-97
CHK	SWING	4-29-97
APP'D	BRIDGEMAN	8-22-97
PRODUCT SPEC	108-1025	
APPLICATION SPEC	114-1008	
REV		

AMP Incorporated
 Harrisburg, PA 17105-3608

RECEPTACLE, .058 DIAMETER,
 28-26 AWG, .035-.045
 INSULATION, P.C. CONTACT

SCALE: 10:1 SHEET 1 OF 1 REV AG

60354

B

A