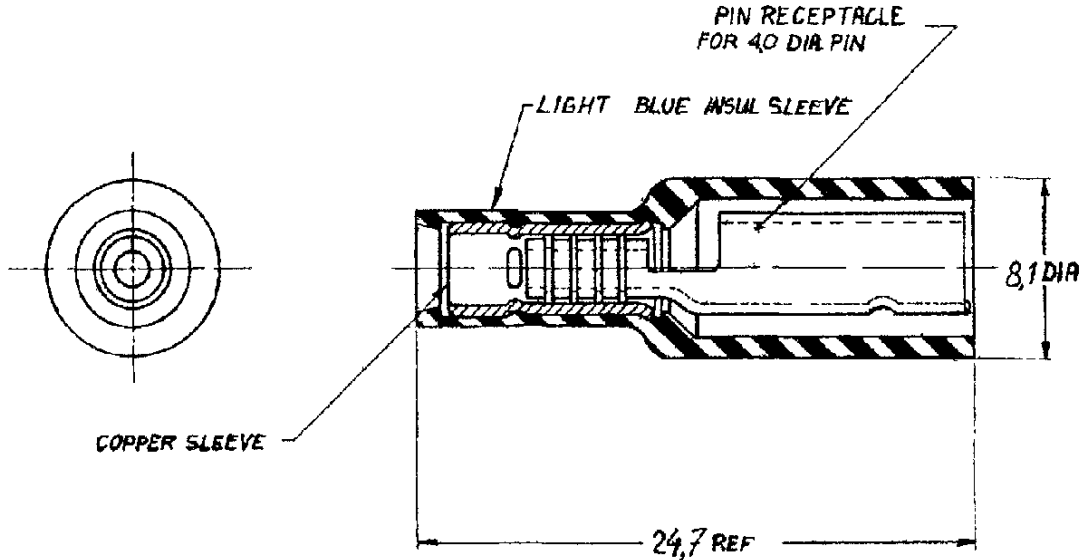


DRAWING MADE IN AMERICAN PROJECTION

NUMBER C-165429 -E

NOTE: TO BE USED WITH THE SUPERCHAMP HANDTOOL ONLY.



CUSTOMER COPY FOR REFERENCE ONLY

©1970 BY AMP-HOLLAND N.V. ALL RIGHTS RESERVED. AMP PRODUCTS COVERED BY PATENTS AND/OR PATENTS PENDING.



AMP-HOLLAND N.V.
5-HERTOGENBOSCH
HOLLAND

165429-1	TUBING NYLON	COLOR LIGHT BLUE
	SLEEVE COPPER	TIN
	PIN REC. BRASS	TIN

WIRE RANGE 10-2.6 mm ²	INSUL RANGE MAX 4 mm DIA	FIRST USED —
--------------------------------------	-----------------------------	-----------------

ORDER NO	MATERIAL	PLATING
----------	----------	---------

SCALE 4:1	LOC H	SIZE A	NO C-165429-E
--------------	----------	-----------	------------------

DR. PRO. 13/1-70	DATE	DS	DATE
------------------	------	----	------

NAME SHUR PLUG RECEPTACLE fully insulated

CHK. W. 30/1-70	DATE	APP. [Signature]	DATE 12-1970
-----------------	------	------------------	--------------

DIMENSIONS IN MM DO NOT SCALE PRINT

AMP 1288