

4

3

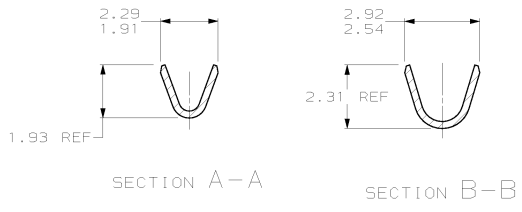
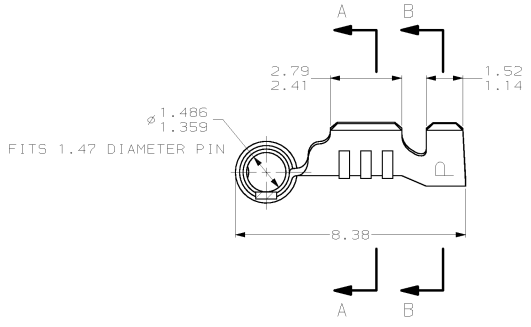
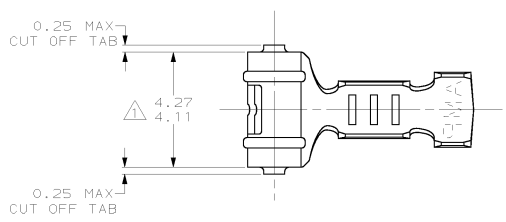
2

1

THIS DRAWING IS UNCLASSIFIED
 RELEASED FOR PUBLICATION
 (C) COPYRIGHT IS BY AMP INCORPORATED. ALL RIGHTS RESERVED.

REV	DATE	DESCRIPTION	DATE	BY	APP'D
CM	52				
E		REV 8 REDWN PER EC 0L30-0125-97	6-12-97	TB	RS

- △ 0.00038 MIN SELECTIVE GOLD PLATING ON INSIDE OF RECEPTACLE OVER NICKEL OVER ALL UNDERPLATE.
- 2. WIRE RANGE: 0.2 - 0.6 MM² (24 - 20 AWG)
- 3. INSULATION RANGE: 1.14 - 1.78



MATTE TIN	0.25 BE COPPER	61276-3
PRE-TIN	0.25 PH BRZ	61276-2
△ FINISH	0.25 BE COPPER	61276-1
	MATERIAL	PART NUMBER

MM	IN	MM	IN	MM	IN	MM	IN
1.47	.058	2.29	.090	4.11	.162	-	-
1.359	.0535	1.93	.076	2.92	.115	-	-
1.14	.045	1.91	.075	2.79	.110	-	-
0.25	.010	1.78	.070	2.54	.100	-	-
0.13	.005	1.52	.060	2.41	.095	8.38	.330
0.00038	.000015	1.486	.0585	2.31	.091	4.27	.168
MM	IN	MM	IN	MM	IN	MM	IN

METRIC

THIS DRAWING IS A CONTROLLED DOCUMENT

DESIGNER	DATE	REV	DESCRIPTION
MM	6-12-97	1	RECEPTACLE, .058 DIAMETER, 24-20 AWG, .045-.070 INSULATION, RIGHT ANGLE, LOOSE PIECE, P.C. CONTACT

AMP Incorporated
 Harrisburg, PA 17105-3608

RECEPTACLE, .058 DIAMETER, 24-20 AWG, .045-.070 INSULATION, RIGHT ANGLE, LOOSE PIECE, P.C. CONTACT

SCALE: 10:1 SHEET 1 OF 1 REV F

AMP 1471-9 REV 27/04/06
 12-JUN-97 07:52:16 amp2238 /home/amp2238/junk/redaw.1330