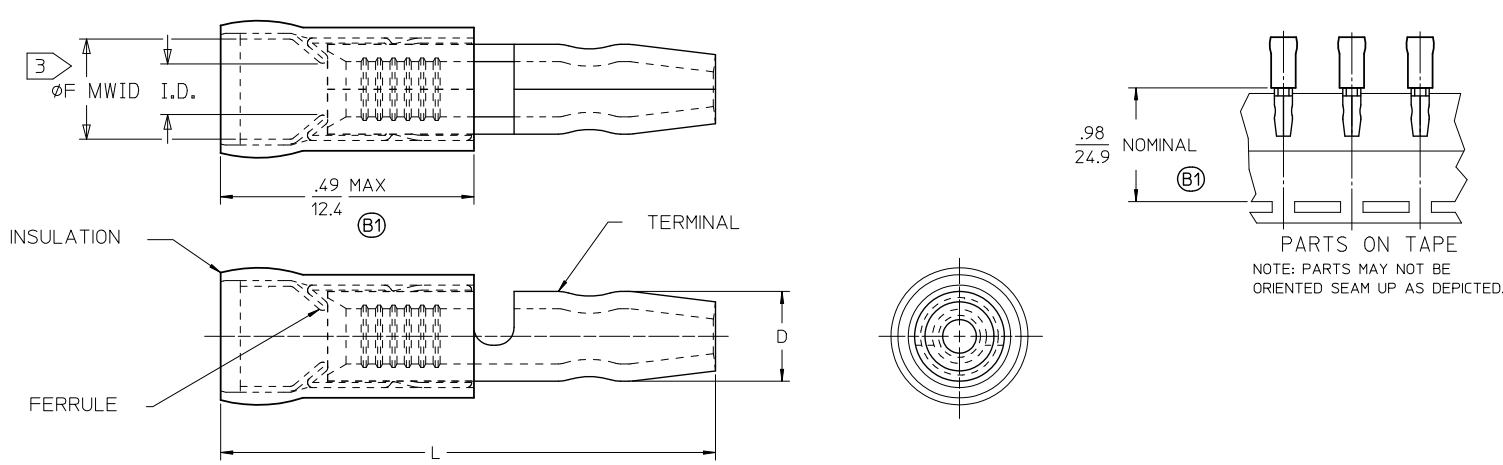


MATERIAL NUMBER LOOSE PCS	ENGINEERING NUMBER LOOSE PCS	MATERIAL NUMBER ON TAPE	ENGINEERING NUMBER ON TAPE	MATERIAL NUMBER ON BIG REEL	ENGINEERING NUMBER ON BIG REEL	WIRE RANGE 2 AWG	INSULATION COLOR	I.D. MIN	3 $\phi$ F MWID	$\phi$ D (B1)	L MAX	(B1)
190360001	A-859	190360002	A-859T			22-18	RED	.056/1.42	.140/3.56	.180/4.57	.98/24.9	
190360003	A-869	190360005	A-869T	190360004	A-869BT	22-18	RED	.056/1.42	.140/3.56	.156/3.96	.93/23.6	
190360006	B-879	190360007	B-879T			16-14	BLUE	.082/2.08	.170/4.32	.180/4.57	.98/24.9	
190360008	B-889	190360009	B-889T			16-14	BLUE	.082/2.08	.170/4.32	.156/3.96	.93/23.6	



- NOTES:
- MATERIAL: TERMINAL: COPPER .031 REF/(0.79) REF THK.  
FINISH: ELECTRO-TIN PLATING.  
FERRULE: COPPER ALLOY  
FINISH: ELECTRO-TIN PLATING  
INSULATION: NYLON 94V2  
COLOR SEE CHART
  - FOR WIRE RANGE SEE CHART.
  - MAX WIRE INSULATION DIAMETER.
  - PARTS ARE ROHS COMPLIANT.

### SALES DRAWING

<b>CORRECT TOLERANCES</b> EC NO: WNA2010-0326 DRAWN BY: DRW:WETHRODAHL 2009/11/16 CHKD: JMACNEIL 2009/11/17 APPR: JMACNEIL 2009/11/23 REV: B1	QUALITY SYMBOLS ▽=0 ▽=0	GENERAL TOLERANCES (UNLESS SPECIFIED) mm INCH 4 PLACES ± --- ± --- 3 PLACES ± --- ± .005 2 PLACES ± 0.13 ± .01 1 PLACE ± 0.25 ± --- ANGULAR ± ---°	DIMENSION STYLE IN/MM	SCALE ---	DESIGN UNITS INCH	THIRD ANGLE PROJECTION	
	DRAWN BY: BENDERLE CHECKED BY: R DEROSS APPROVED BY: R DEROSS	DATE: 2005/04/04 DATE: 2005/04/04 DATE: 2005/04/04	TITLE <b>AVIKRIMP MALE BULLET SNAP PLUG EXTRUDED HOUSING</b>	MATERIAL NO. <b>SEE CHART</b>	DOCUMENT NO. <b>SD-19036-001</b>	SHEET NO. <b>1 OF 1</b>	MOLEX INCORPORATED
	DRAFT WHERE APPLICABLE MUST REMAIN WITHIN DIMENSIONS						
	THIS DRAWING CONTAINS INFORMATION THAT IS PROPRIETARY TO MOLEX INCORPORATED AND SHOULD NOT BE USED WITHOUT WRITTEN PERMISSION						