

4

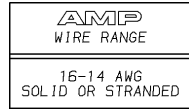
3

2

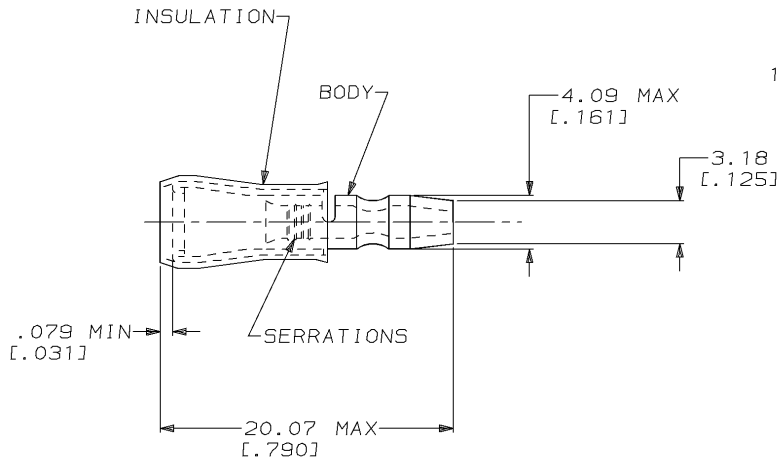
1

THIS DRAWING IS UNPUBLISHED. RELEASED FOR PUBLICATION, 19
 © COPYRIGHT 19 BY AMP INCORPORATED. ALL RIGHTS RESERVED.

LOC	DIST	REVISIONS			
P	LTR	DESCRIPTION	DATE	DWN	APVD
G	14	H	REV & REDRAW / 0720-0777-95	28SEP95	ME NB



1. WIRE INSUL DIA, 2.92-4.32 [.115-.170]



QTY	PACKAGE TYPE	PART NO
---	-----	-----
---	-----	-----
100	LOOSE PIECE, BOX SPL	8-324225-5
100	LOOSE PIECE, BOX	8-324225-1
2500	ON TAPE, REEL	2-324225-1
1000	LOOSE PIECE	324225
	PACKAGE TYPE	PART NO

AMP INCORPORATED CUSTOMER SERVICE SYSTEM		MAX RECOMMENDED OPERATING TEMPERATURE: 105°C [221°F]	THIS DRAWING IS A CONTROLLED DOCUMENT FOR AMP INCORPORATED. IT IS SUBJECT TO CHANGE AND THE CONTROLLING ENGINEERING ORGANIZATION SHOULD BE CONTACTED FOR THE LATEST REVISION.		DWN M ELLIS 28SEP95	AMP AMP Incorporated Harrisburg, PA 17105-3608
FOR ADDITIONAL PRODUCT INFORMATION OR COPIES OF DRAWINGS AND TECHNICAL DOCUMENTS	PRODUCT INFORMATION CENTER 1-800-522-6752	VOLTAGE RATING: 300 V MAX	DIMENSIONS: mm [in]	TOLERANCES UNLESS OTHERWISE SPECIFIED: 0 PLC ±- 1 PLC ±- 2 PLC ±0.13 [.005] 3 PLC ±- 4 PLC ±- ANGLES ±-	CHK C PRESNELL 28SEP95	
FOR APPLICATION TOOLING INFORMATION	TOOLING ASSISTANCE CENTER 1-800-722-1111	CIRCULAR MIL AREA: 1.04mm² - 2.62mm² [2050-5180]	MATERIAL BODY, SLV, COPPER PER ASTM B 152 INSUL, NYLON, COLOR, BLUE	FINISH BODY & SLV, TIN PLATE PER MIL-T-10727	APVD N BIRCH 28SEP95	PRODUCT SPEC APPLICATION SPEC
FOR ORDER ENTRY	1-800-526-5142	SOLID OR STRANDED			WEIGHT -	SIZE A3
					CUSTOMER DRAWING	CAGE CODE 00779
					SCALE 4:1	DRAWING NO C-324225
					SHEET 1 OF 1	REV H

AMP 1470-19 REV 09MAY94
 17 MAY 1995 14:26:42 AMP10390 <UJ128A>DEPT1132-U, DWG1132-U, RBY-U, PID6-U, CUST