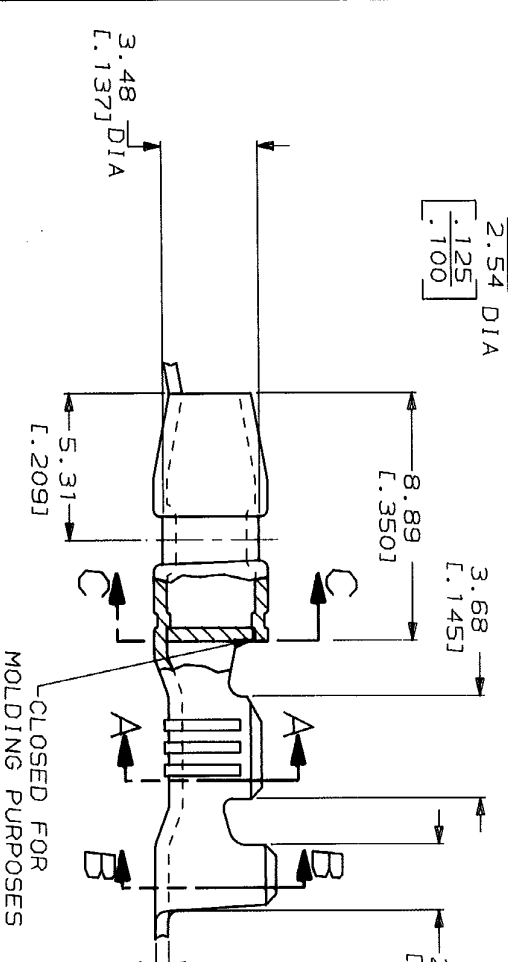
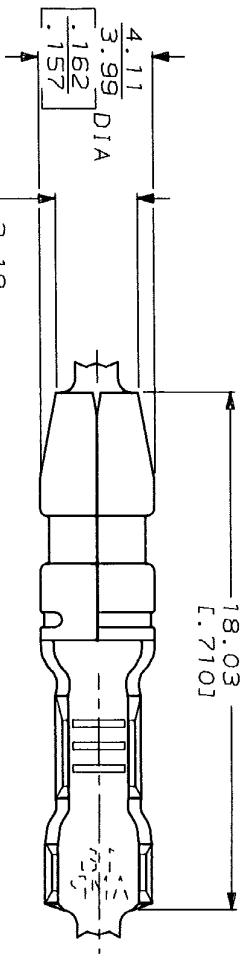


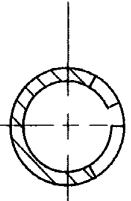
DRAWING MADE IN THIRD ANGLE PROJECTION
 THIS DRAWING IS UNPUBLISHED. RELEASED FOR PUBLICATION
 BY AMP INCORPORATED. ALL INTERNATIONAL RIGHTS RESERVED. 19

| | | | | | | | | |
|-----|------|---|---|------|-----|---------------------|---------|--------|
| LOC | DIST | P | F | ZONE | LTR | REVISIONS | DATE | APPD |
| AF | 50 | | | | H | REDRAWN PER AF-6810 | 7/26/90 | PF/JJR |



CLOSED FOR MOLDING PURPOSES

1 CONTINUOUS STRIP ON REELS



SECTION C-C

SECTION A-A
SCALE 10:1

SECTION B-B
SCALE 10:1

METRIC

| | | | | | | | |
|--------------|-------|----------------------------|-------------|-------|---------------|------------|--|
| FOR 0 | 3.56 | 5.33 | F | 2.29 | 1.68 [.066] | 1.34 [.16] | DO NOT SCALE PRINT. DIMENSIONS SPECIFIED IN MILLIMETERS UNLESS OTHERWISE NOTED. 3 PLACES DEC ± 0.25 L. 0.101 |
| TYPE | WIDTH | STRIP LENGTH ±0.38 [±.015] | TYPE | WIDTH | ±0.051 [.002] | HEIGHT | WIRE |
| INSUL BARREL | CRIMP | | WIRE BARREL | CRIMP | | | |

| | | | |
|------------------|------------------------------|------------|---|
| INSULATION RANGE | 2.41-2.92 DIA [.095-.115] | WIRE RANGE | 0.5mm ² -1.3mm ² [20-16] AWG |
|------------------|------------------------------|------------|---|

| | | |
|------|---------|--------------|
| DR | 7/26/90 | P FORNIEV |
| CHK | 7/26/90 | JR RITH |
| APPD | 7/26/90 | G WELTER |
| APPD | 7/26/90 | PRODUCT SPEC |

| | |
|------------|---|
| NAME | SHUR PLUG, 3.96 [.156] DIA |
| AMP | AMP Incorporated Harrisburg, PA 17105-3608 |
| SIZE | B |
| GAGE CODE | 00779 |
| DRAWING NO | 61388 |
| SCALE | 6:1 |
| SHEET | 1 OF 1 |

CUSTOMER DRAWING

AMP 1470-15 REV 11-89
 30 JUL 1990 08:57:37
 AMP1705 451284872126006212401 3048-4145