

4

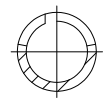
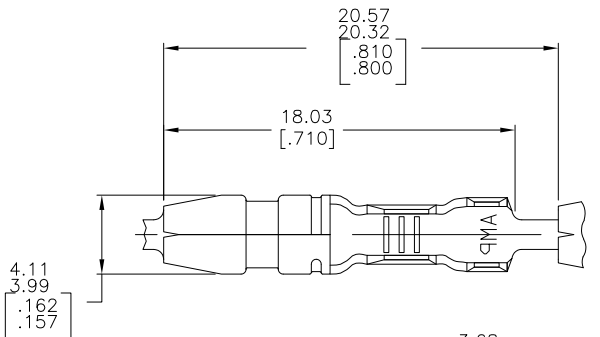
3

2

1

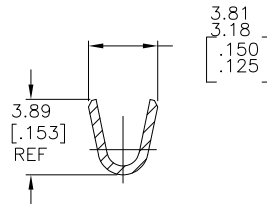
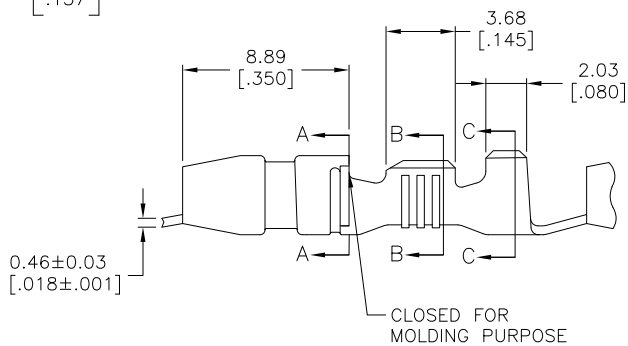
THIS DRAWING IS UNPUBLISHED. RELEASED FOR PUBLICATION
 © COPYRIGHT - BY TYCO ELECTRONICS CORPORATION. ALL RIGHTS RESERVED.

LOC	DIST	REVISIONS				
P	LTR	DESCRIPTION	DATE	DWN	APVD	
AF	50					
	J1	ECR-07-026634 (REDRAWN IN AUTOCAD)	05NOV07	HMR	DD	
	J2	REVISED PER ECO-09-021826	21AUG09	KK	AEG	

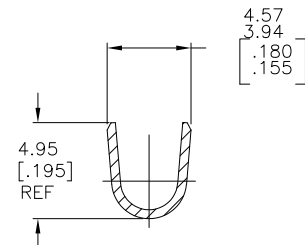


SECTION A-A

- 1 CONTINUOUS STRIP ON REELS.
- 2 0.00508[.000200] MIN SILVER OVER 0.00254[.000100] MIN COPPER UNDERPLATE OR 0.00127[.000050] MIN NICKEL UNDERPLATE.
- 3 WIRE RANGE: 18-14 AWG
- 4 INSULATION RANGE: 2.16-3.18 [.085-.125] DIA.
- 5 OBSOLETE PARTS: OBSOLETE CIS STREAMLINING PER D.RENAUD/D.SINISI



SECTION B-B



SECTION C-C

5	OBSOLETE	82	BRASS	60766-4
	PRE-TIN	081	BRASS	60766-2
	NONE	082	BRASS	60766-1
	FINISH	MATERIAL		PART NO

THIS DRAWING IS A CONTROLLED DOCUMENT.		DWN	05NOV2007	Tyco Electronics		Tyco Electronics Corporation	
DIMENSIONS: mm [INCHES]		CHK	05NOV2007	D DECKER		Harrisburg, PA 17105-3608	
TOLERANCES UNLESS OTHERWISE SPECIFIED:		APVD	05NOV2007	D DECKER		NAME	
0 PLC ± -		PRODUCT SPEC		---		SHUR PLUG	
1 PLC ± -		APPLICATION SPEC		---		3.96[.156] DIA	
2 PLC ± 0.38 [015]		WEIGHT		---		SIZE	
3 PLC ± -		MATERIAL		---		CAGE CODE	
4 PLC ± -		FINISH		---		DRAWING NO	
ANGLES ± 1°		SEE TABLE		---		RESTRICTED TO	
MATERIAL		SEE TABLE		A3		00779	
SEE TABLE		SEE TABLE		C=60766		DRAWING NO	
		CUSTOMER DRAWING		SCALE		SHEET	
				5:1		1 OF 1	
						REV	
						J2	

AMP 1470-19 REV 31MAR2000