

4

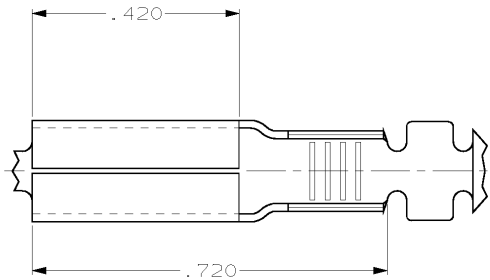
3

2

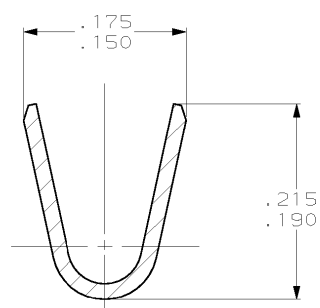
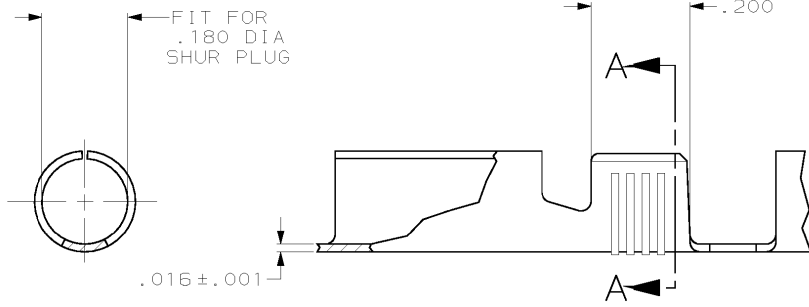
1

THIS DRAWING IS UNPUBLISHED. RELEASED FOR PUBLICATION .19  
 © COPYRIGHT 19 BY AMP INCORPORATED. ALL RIGHTS RESERVED.

| LOC |     | DIST                     |  | REVISIONS |     |      |  |
|-----|-----|--------------------------|--|-----------|-----|------|--|
| P   | LTR | DESCRIPTION              |  | DATE      | DWN | APVD |  |
|     | B   | REDRAWN PER 0G3A-XXXX-01 |  | 12JUL01   | MF  | DD   |  |



1 CONTINUOUS STRIP ON REELS.  
 ⚠️ .000080 MIN TIN PLATE.



SECTION A-A  
 SCALE 10:1

|        |            |             |
|--------|------------|-------------|
| -      | -          | -           |
| ⚠️     | 14-10 AWG  | 42891-2     |
| -      | 14-10 AWG  | 42891-1     |
| FINISH | WIRE RANGE | PART NUMBER |

THIS DRAWING IS A CONTROLLED DOCUMENT.

|  |  |                                      |  |
|--|--|--------------------------------------|--|
| DIMENSIONS:<br>INCHES  | TOLERANCES UNLESS OTHERWISE SPECIFIED: | DWN<br>MICHAEL S. FEHER<br>12JUL2001 | AMP Incorporated<br>Harrisburg, PA 17105-3608  |
| 0 PLC ±-<br>1 PLC ±-<br>2 PLC ±-<br>3 PLC ±.010<br>4 PLC ±-<br>ANGLES ±- |  | CHK<br>DONALD DECKER<br>12JUL2001    |  |
| MATERIAL<br>4M BRASS   | FINISH<br>SEE TABLE                    | APVD<br>DONALD DECKER<br>12JUL2001   | NAME<br>RECEPTACLE, SHUR PLUG,<br>.180 DIA     |
|  |  | APPLICATION SPEC<br>114-2017         | RESTRICTED TO                                  |
|  |  | WEIGHT<br>-                          | SIZE CAGE CODE DRAWING NO<br>A3 00779 C- 42891 |
|  |  | CUSTOMER DRAWING                     |  |
|  |  | SCALE<br>5:1                         | SHEET 1 OF 1 REV B                             |