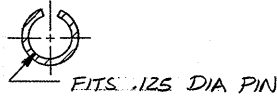
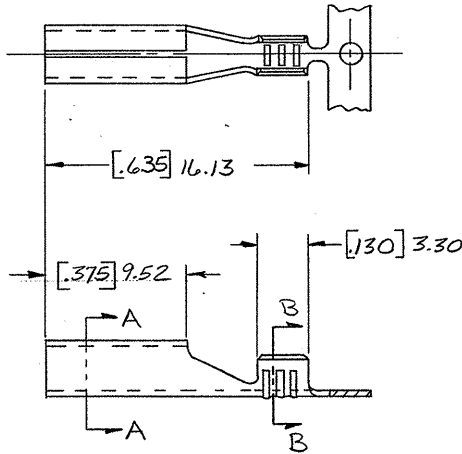


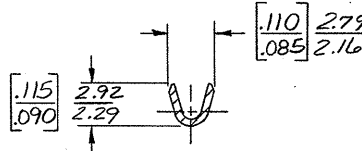
DRAWING MADE IN THIRD ANGLE PROJECTION

THIS DRAWING IS UNPUBLISHED. RELEASED FOR PUBLICATION
 © COPYRIGHT 19 BY AMP INCORPORATED, HARRISBURG, PA. ALL INTERNATIONAL RIGHTS RESERVED. AMP PRODUCTS MAY BE COVERED BY U.S. AND FOREIGN PATENTS AND/OR PATENTS PENDING.

REVISIONS		DATE	APPROVED
1	RELEASED	2-20-85	RLT/67
2	REVISED	AF-1152	9/12/85 JSC/47
3	REVISED PER 063A-0109-02	05 MAR 02	msf/



SECT. A-A



SECT. B-B

- 1 - DIMENSIONS IN BRACKETS ARE IN INCHES
- 2 - CONTINUOUS STRIP ON REELS
- 3 - PRELIMINARY - NOT FOR PRODUCTION.

METRIC

TIN	[22-18]	0.3-0.8 mm ²	3	63381-2
NONE	[22-18]	0.3-0.8 mm ²		63381-1
FINISH		WIRE SIZE		PART NO
UNLESS OTHERWISE SPECIFIED DIMENSIONS ARE IN INCHES. TOL. DECIMALS ANGLES	CONTRACT NO	AMP AMP INCORPORATED Harrisburg, Pa.		
[.014] 0.36	DR <i>VRP</i> 12/18/84	NAME		
BRASS	CHK <i>Yetter</i> 12/18/84	.125 DIA. PIN RECEPTACLE		
FINISH SEE TABLE	APPD <i>Stallings</i> 12/19/84	SIZE	FSCM NO	DRAWING NO
	APPD <i>J. H. Smith</i> 12/20/84	B	00779	63381
	DSGN APPD	SCALE		SHEET
	OTHER APPD			